

# 1500AJP

ARTICULATING ULTRA BOOM

BOOM LIFT



## KEY SPECS

**Platform Height**  
150-ft / 45.72-m

**Up and Over Height**  
60-ft 4-in / 18.4-m

**Horizontal Outreach**  
75-ft / 22.86-m

**Platform Capacity**  
1,000-lb / 454-kg - Restricted  
600-lb / 272-kg - Unrestricted

## KEY FEATURES

- Expansive work area with a maximum platform height of 150-ft, 60-ft 4-in of up and over height and 75-ft of horizontal outreach.
- Designed for ease of transport with no oversized load permit needed (over-weight permit required for highway transportation).
- Experience faster cycle speeds from ground to full elevation with exclusive QuikStik® boom technology.
- Simple, single sensor load sensing system features fewer parts and requires no weight to calibrate.

## ACCESSORIES & OPTIONS

- Accessory Packages:
  - SkyWelder® Package
  - SkyPower® Package
  - SkyGlazier® Package
- Additional Platform Options
  - Drop Bar
    - 30 x 36-in, 30 x 48-in, 36 x 72-in, 36 x 96-in
  - Fall Arrest, Rear Entry
    - 36 x 72-in 36 x 96-in
  - Inward Self-Closing Swing Gate
    - 30 x 48-in, 36 x 72-in, 36 x 96-in
  - Tri-Entry, Drop Bar
    - 36 x 72-in, 36 x 96-in
  - Tri-Entry, Swing Gate
    - 36 x 72-in, 36 x 96-in
  - Amber Beacon
  - Ambient White Noise Alarm
  - Bolt On Fall Arrest System
  - ClearSky™ Telematics
  - Cold Package Plus<sup>1</sup>
  - Cold Weather Start Kit<sup>2</sup>
  - Hostile Environment Kit<sup>3</sup>
  - Light Package<sup>4</sup>
  - Platform Mesh, Bolt On
    - Mesh to Top Rail, Plastic or Aluminum
    - Mesh to Mid Rail, Plastic or Aluminum
  - SkySense® Enhanced Detection System
  - Soft Touch System
  - Special Hydraulic Oils
  - Platform Storage Tray, Center or Corner

## STANDARD SPECIFICATIONS

### Performance

Platform Height	150-ft / 45.72-m
Horizontal Outreach	75-ft / 22.86-m
Up and Over Clearance	60-ft 4-in / 18.4-m
Swing	360 Degrees Continuous
Platform Capacity (Restricted)	1,000-lb / 454-kg
Platform Capacity (Unrestricted)	600-lb / 272-kg
Platform Rotator	180 Degrees Hydraulic
Jib Length	8-ft / 2.4-m
Jib Range of Articulation	131 Degrees (+75, -55)
Jib Horizontal Rotation	125 Degrees (55 right, 70 left)
Weight*	57,380-lb / 26,027-kg
Max. Ground Bearing Pressure	122.5 psi / 8.4 kg/cm <sup>2</sup>
Drive Speed	2.8 mph / 4.5 km/h
Gradeability	40%
Tilt Cut Out	5 Degrees
Turning Radius (Inside):	
Axles Retracted/Extended	23-ft 4-in (7.12-m) / 7-ft 6-in (2.3-m)
Turning Radius (Outside):	
Axles Retracted/Extended	31-ft 3-in (9.52-m) / 21-ft 8-in (6.6-m)

\*Certain options or country standards increase weight

### Engine

Diesel Engine – Deutz TCD 3.6L Tier IV F	99.8 hp / 74.4 kW
Fuel Tank Capacity	45 gal / 170 L

### Tires

Standard	445/50D710 Foam-filled
----------	------------------------

### Hydraulic System

Capacity	93 gal / 352 L
----------	----------------

## STANDARD FEATURES

- 12V-DC Auxiliary Power
- 180 Degrees Hydraulic Platform Rotator
- AC Receptacle in Platform
- All Motion Alarm
- Articulating Jib
- Control ADE® System
- Dual USB Power Outlet
- Dual Rated Capacities (600/1,000-lb)
- Drive-Out Extendable Axles
- Engine Distress Warning/Shutdown—Selectable via JLG Analyzer
- Gull-Wing Steel Hoods
- Hourmeter
- Hydrostatic Drive
- LCD Panel at Operator's Platform Control Console
- Lifting/Tie Down Lugs
- Load Sensing System
- Platform 36 x 96-in (.91 x 2.44-m)
- Platform Console Machine Status Light Panel<sup>5</sup>
- Proportional Controls
- QuikStik®
- SkyGuard SkyLine™
- Swing-Out Engine Tray
- Tilt Light and Alarm



760 rue Bériault, Longueuil, Québec (Canada) J4G 1R8  
1-833-360-3330 | info@sosequipment.ca

# 1500AJP

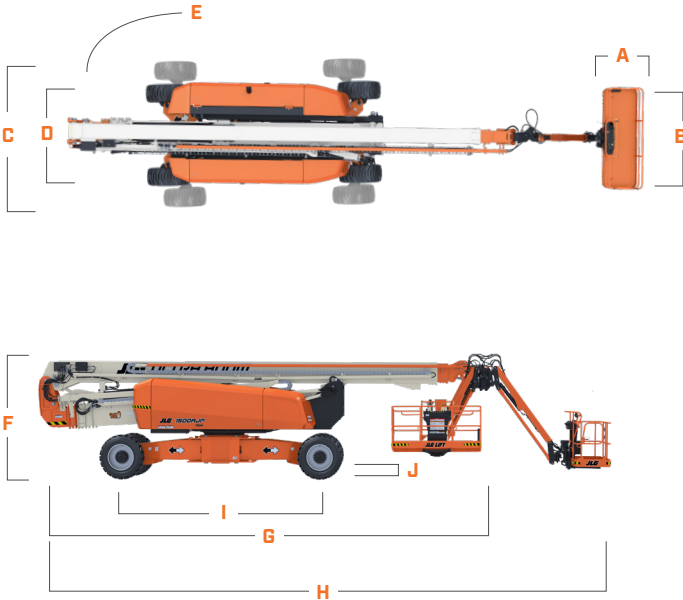
ARTICULATING ULTRA BOOM

BOOM LIFT



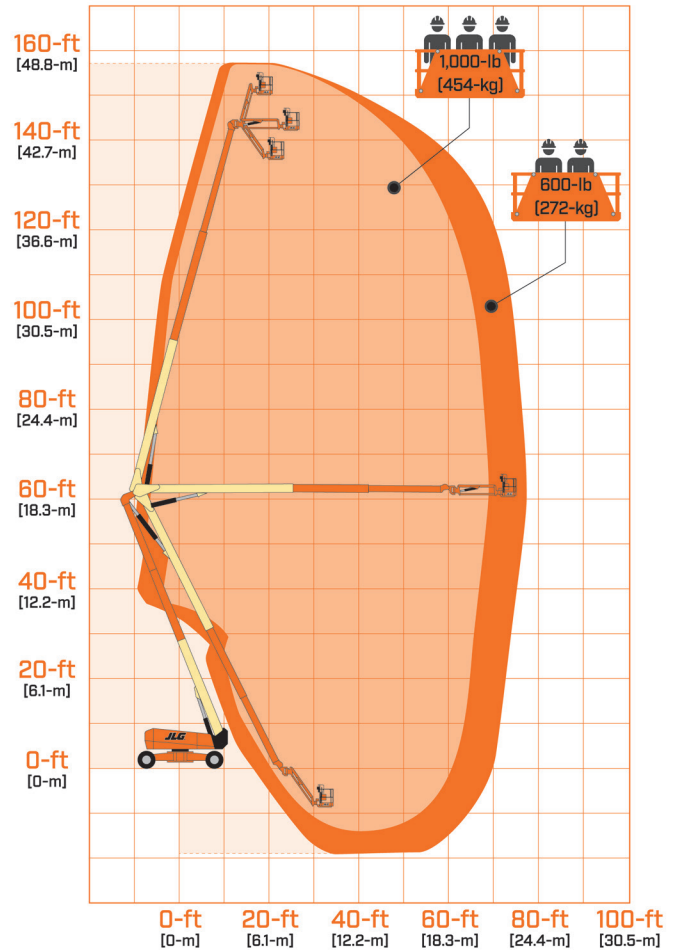
## DIMENSIONS

All dimensions are approximate



- A. Platform Width 36-in / 0.91-m
- B. Platform Length 96-in / 2.44-m
- C. Machine Width - Axles Extended 16-ft 6-in / 5-m
- D. Machine Width - Axles Retracted 8-ft 1.5-in / 2.49-m
- E. Tailswing 2-ft 5-in / .7-m
- F. Machine Height 10-ft 2-in / 3.1-m
- G. Machine Length - Stowed 39-ft 8-in / 12.09-m
- H. Machine Length - Overall 49-ft 8-in / 15.1-m
- I. Wheelbase 15-ft / 4.6-m - Axles Extended  
17-ft 1.50-in / 5.22-m - Axles Retracted
- J. Ground Clearance 15-in / 38-cm - Axle  
15.75-in / 40-cm - Chassis

## REACH DIAGRAM



We provide coverage for one (1) full year, and cover all specified major structural components for five (5) years. Due to continuous product improvements, we reserve the right to make specification and/or equipment changes without prior notification. This machine meets or exceeds applicable ANSI and CSA requirements based on machine configuration as originally manufactured for intended applications. Please reference the serial number plate on the machine for additional information.

Part No. 3131031 | R0323\_01



JLG INDUSTRIES, INC.  
Toll-free US 877-JLG-LIFT  
JLG.com

An Oshkosh Corporation Company



760 rue Bériault, Longueuil, Québec (Canada) J4G 1R8  
1-833-360-3330 | info@sosequipment.ca