



Icarus 45.17
56' / 10,000lbs

Icarus 30.16
51' / 6,600lbs

Icarus 35.16
42' / 7,700lbs

Icarus 38.14
44' / 8,400lbs

Icarus 40.14
44' / 9,000lbs

Icarus 40.16
51' / 8,800lbs

Icarus 40.17
56' / 8,800lbs

ICARUS 45.17

Icarus is all about height and reach. With a 10,000 LB lift capacity and a lift height of 56 feet, these machines are versatile at any worksite. Man and material placement is fast, smooth and easy. Icarus telehandlers are used for normal multitasking jobs and are suited for work that requires extraordinary lift heights. Hydraulic self levelling lift action automatically keeps the load level as the three-section boom is raised and extended. Icarus safely works in harmony with a man basket or material basket nearly six stories in the air thanks to Dieci's ATP (Anti Tipping Protection).

Icarus is equipped with twin front axle-mounted stabilizers, sway control for rough terrain and a

modern panoramic view cab. Visibility for tall projects is excellent with floor to ceiling heat resistant glass. Icarus has three steering modes with a four-wheel drive hydrostatic two speed transmission for rugged terrain. The four-in-one proportional joystick provides the operator with silky smooth safe movements.

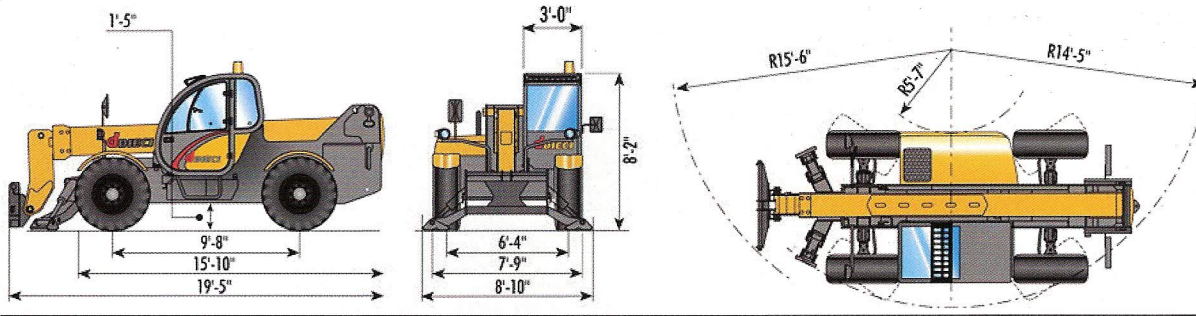
SOSlocation.ca

VENTE · LOCATION · SERVICE · TRANSPORT

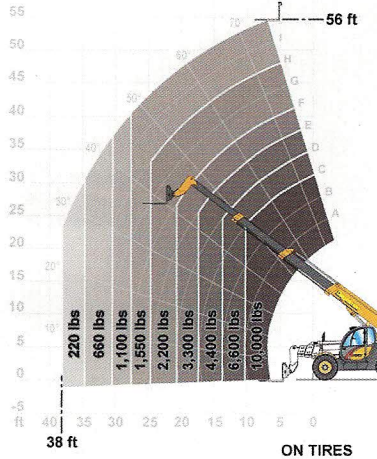
450 · 444 · 3330



ICARUS 45.17

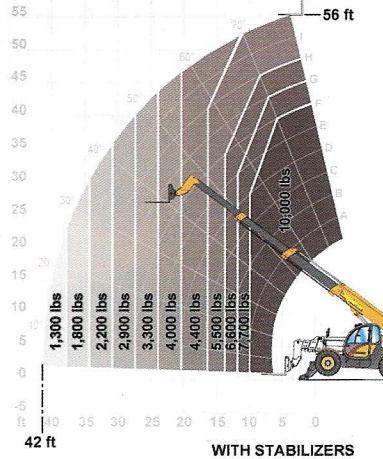


MAX 10,000 lbs

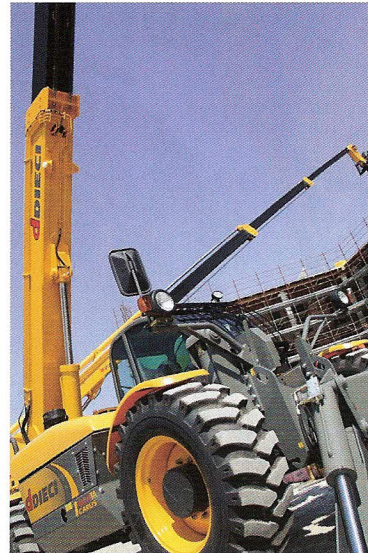


ON TIRES

MAX 10,000 lbs



WITH STABILIZERS



PERFORMANCE

Maximum lifting capacity.....	10,000 lbs
Maximum lifting height.....	56 ft
Maximum reach.....	42 ft
Fork angle.....	134°
Towing Force.....	16,410 lbf (7,300 daN)
Breakout Force.....	12,814 lbf (5,700 daN)
Maximum allowable slope.....	40%
Total empty weight.....	26,455 lbs
Max speed.....	19 mph (30 km/hr)
(on request 25 mph (40km/h) with TA engine)	



DRIVE SYSTEM

Hydrostatic Transmission.....	with variable displacement pump
Hydraulic engine.....	with automatic adjustment
Gear reversing.....	electro - hydraulic
Inching pedal for controlled movement	
Servo controlled 2 speed gearbox	



HYDRAULIC CIRCUIT

Gear pump at full capacity.....	29 gal/min (110 l/min)
Max working pressure.....	3,336 PSI (230 bar)
Flow Sharing/Proportional joystick controls.....	3-in-1 or 4-in-1



DIFFERENTIAL AXLES

Steering axles.....	2, with planetary reduction gears
Type of steering.....	4 wheel / crab / 2 wheel
Front axle.....	Rigid (leveling on request)
Rear axle.....	Oscillating
Service brake.....	Oil bath on the four wheels with double hydraulic system
Electric parking brake.	



OPTIONAL EQUIPMENT

Air Conditioning	
72" Fork Carriage	



ENGINE

IVECO NEF - Turbo-charged	
Maximum power.....	101 hp at 2,200 rpm
Type.....	Four stroke direct injection diesel
Cylinders number and layout.....	4, vertical in line
Displacement.....	274 cu.in. (4485 cm ³)
Turbo Compressor	
Liquid Cooling System	

IVECO NEF - Turbo After -Cooled (Optional)

Maximum power.....	128 hp at 2,200 rpm
Type.....	Four stroke direct injection diesel
Cylinders number and layout.....	4, vertical in line
Displacement.....	274 cu.in. (4485 cm ³)
Liquid Cooling System	



TANK CAPACITY

Hydraulic circuit.....	42gallons/160 litres
Fuel tank.....	28gallons/105 litres



STANDARD DEVICES

CE certified, ANSI/ITSDF B56.6.205, CSA Standard B354.4-02	
Soundproof closed cab, ROPS - FOPS approved, with heating.	
Hydraulic socket for any accessories on the boom head.	
Self-blocking front axle differential (limited slip 45%).	
Stabilizers with independant hydraulic tilting.	
ATP (Anti Tipping Protection) with block for hazardous movements.	



TIRES

Standard (INDUSTRIAL LUG).....	405/70-24"
Optional (OVERSIZED).....	18-22.5"



HIGH REACH