

**DT80**  
TRAILER

**SOSlocation.ca**  
LOCATION • FORMATION

**SOSequipment.com**

VENTE • PIÈCES • TRANSPORT



**DT25**  
TRAILER

## STANDARD EQUIPMENT

Double telescopic extension booms

Rear oriented boom position

High torque drive system

Auto levelling basket

Hydraulic outriggers

Outrigger interlocks

Easy to access batteries

Dual power sources - diesel engine and 110/220VAC electric / lithium available

Fully electronic proportional hydraulic controls driven by can-bus system

110/220V Power supply to the basket

Electronic controlled level alarm/sensor

Hitch pull bar

Hour meter

2 people basket (140x70x110 cm / 55x27x43 in)

All function radio control

Telescopic boom painting: blue RAL 9010 - white RAL 9010

Cylinders, turret and pistons painting: white RAL 9010

Automatic stabilization (optional)

Remote management and diagnostic software (optional)

## OPTIONS & ACCESSORIES

Anti debris brushes on booms

Small personnel basket (70x70x110 cm or 27x27x43 in)

Large personnel basket (180x70x110 cm or 70x27x43 in)

Fiberglass basket (optional 1 kV insulation)

Hoist hook (max 260 kg or 573 lbs)

Radio controlled winch (max 230 kg or 507 lbs)

Material handling cage (max 200 kg or 441 lbs)

Security belts

Illuminated outrigger indicators

One click auto-closing switch

Dead man pedal in the basket

Air/water connection line between basket and turret, max pressure 100bar

Ultrasonic anti collision alarm for basket protection

Remote management and diagnostic software

N.4 ground use plates for stabilization

Custom paint options available (upper and lower sections)

Customized stickers with customer logo

Up to 5 years extended warranty

## STANDARD TRAILER FEATURES

Hydraulic drive controlled by remote control

Stabilization controlled by remote control

Low center of gravity that allows for highly safe drivability

Single jockey wheels

Hydraulic brakes

Foldable cyclist protection bar

Side marker lights

Removable light bar

## UNIQUE

Unbeaten working envelope

Unmatchable ultra wide negative working envelope

Highest up & over in the Industry

Very low centre of gravity, impressive drivability

## STANDARD COMPLIANCE

ANSI 92.20

UNI EN 280

CSA B354.6

CE

Crane certification (EN 12999 standard certified)



## PERFORMANCE

|   | <i>metric</i>   | <i>US</i>                |
|---|---|--------------------------|
| Working height  | 25 m  | 82 ft                    |
| Platform height   | 23 m  | 75 ft 5 in               |
| Horizontal outreach                                       | 12 m  | 39 ft 4 in               |
| Up and over clearance                                     | 14 m  | 45 ft 11 in              |
| Negative work (below ground level)                        | -5 m  | -19 ft 5 in              |
| Lift capacity - standard (ANSI - CSA - CE - AUS)          | 230 kg  | 507 lbs                  |
| Lift capacity - rotating platform (ANSI - CSA - CE - AUS) | 230 kg  | 507 lbs                  |
| Self leveling platform                                    | 5°standard  | 5°standard               |
| Platform rotation   | 180°  | 180°                     |
| AC power to platform                                      | standard  | standard                 |
| Turntable rotation  | 720°  | 720°                     |
| Outrigger leveling capability                             | ≈ 5°  | ≈ 5°                     |
| Gradeability  | 10°/13°   | 49%                      |
| To be jacked up on ground slope max                       | 12°   | 12°                      |
| Slope angle   | 11°   | 11°                      |
| Drive speed   | 1,12 km/h   | 0,70 mph                 |
| Towing speed rate   | 97 km/h   | 60 mph                   |
| Tongue weight   | 140 kg  | 309 lbs                  |
| Surge parking & brakes                                    | standard  | standard                 |
| Controls  | electronic multifunction highly proportional controls |                          |
| Tyre size   | 215/75 R17,5  | 215/75 R17,5             |
| Coupler   | 5 cm  | 2 in                     |
| Live load/Max pressure in travelling position             | 4,3 kN/m <sup>2</sup>                                 | 90 lbs/ft <sup>2</sup>   |
| Live load/Max pressure in working position                | 2,5 kN/m <sup>2</sup>                                 | 52,2 lbs/ft <sup>2</sup> |
| Point load per outrigger plate                            | 22 max Kn   | 4946 lbs                 |
| Size of outrigger plate                                   | 200 mm  | 7,8 in                   |

## MEASUREMENTS

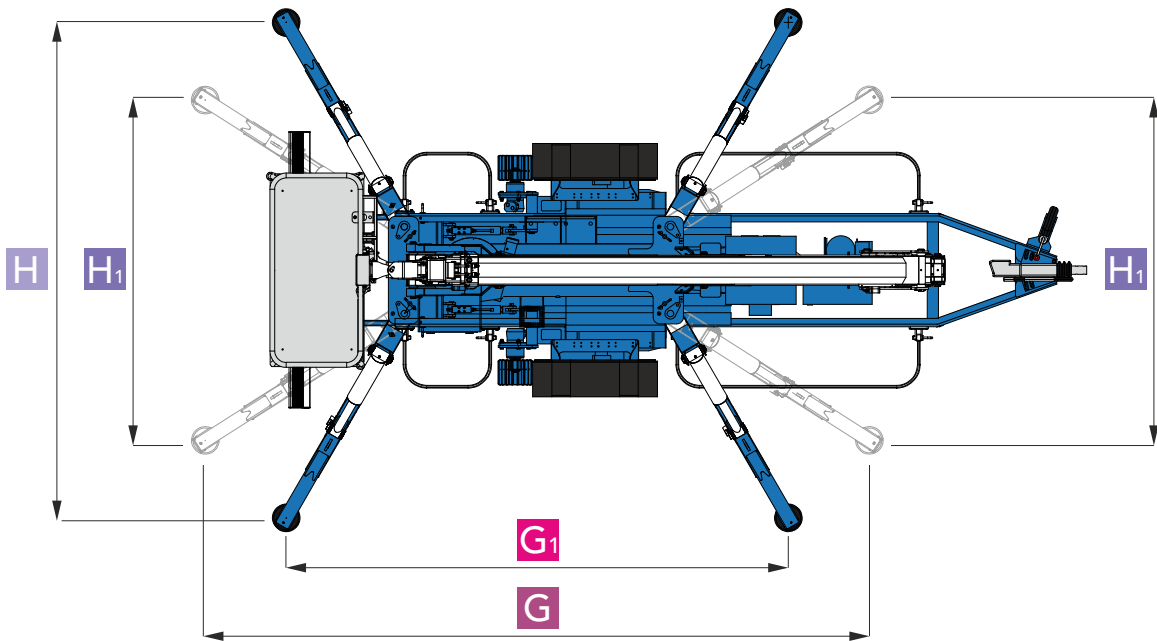
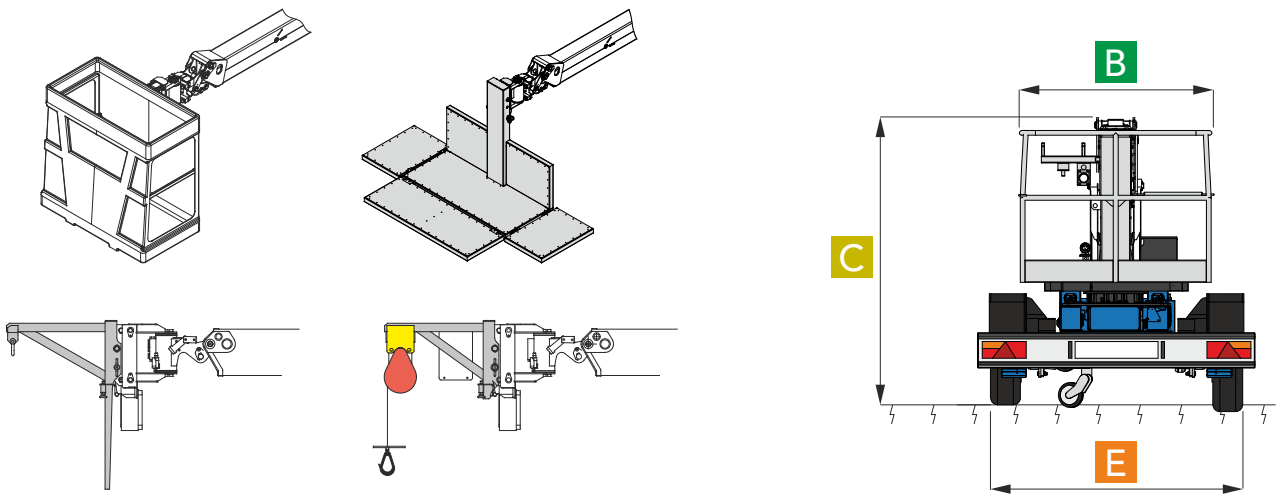
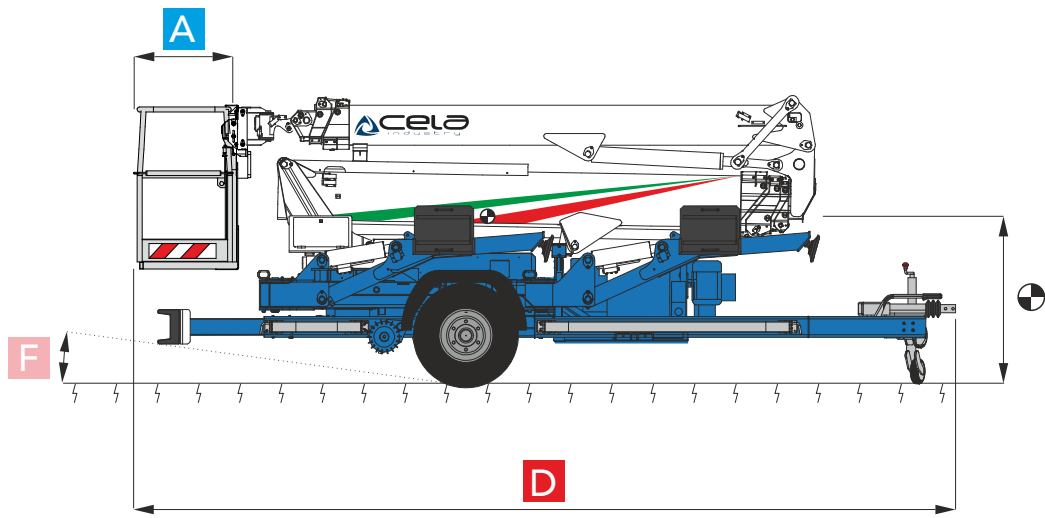
|  | <i>metric</i> | <i>US</i>  |
|--|---------------|------------|
| Center of gravity                          | 1,1 m         | 3 ft 7 in  |
| Platform length                            | 0,7 m         | 2 ft 4 in  |
| Platform width                             | 1,4 m         | 4 ft 7 in  |
| Height - stowed                            | 2,085 m       | 6 ft 10 in |
| Length - stowed                            | 5,925 m       | 19 ft 6 in |
| Width - stowed "(lightbar is demountable)" | 1,85 m        | 3 ft 3 in  |
| Ground clearance - center                  | 0,275 m       | 11 in      |
| Length - outrigger footprint stowed        | 3,650 m       | 9 ft 10 in |
| Length - outrigger footprint               | 4,815 m       | 13 ft 2 in |
| Width - outrigger footprint stowed         | 2,470 m       | 6 ft 7 in  |
| Width - outrigger footprint                | 3,600 m       | 9 ft 10 in |

## POWER

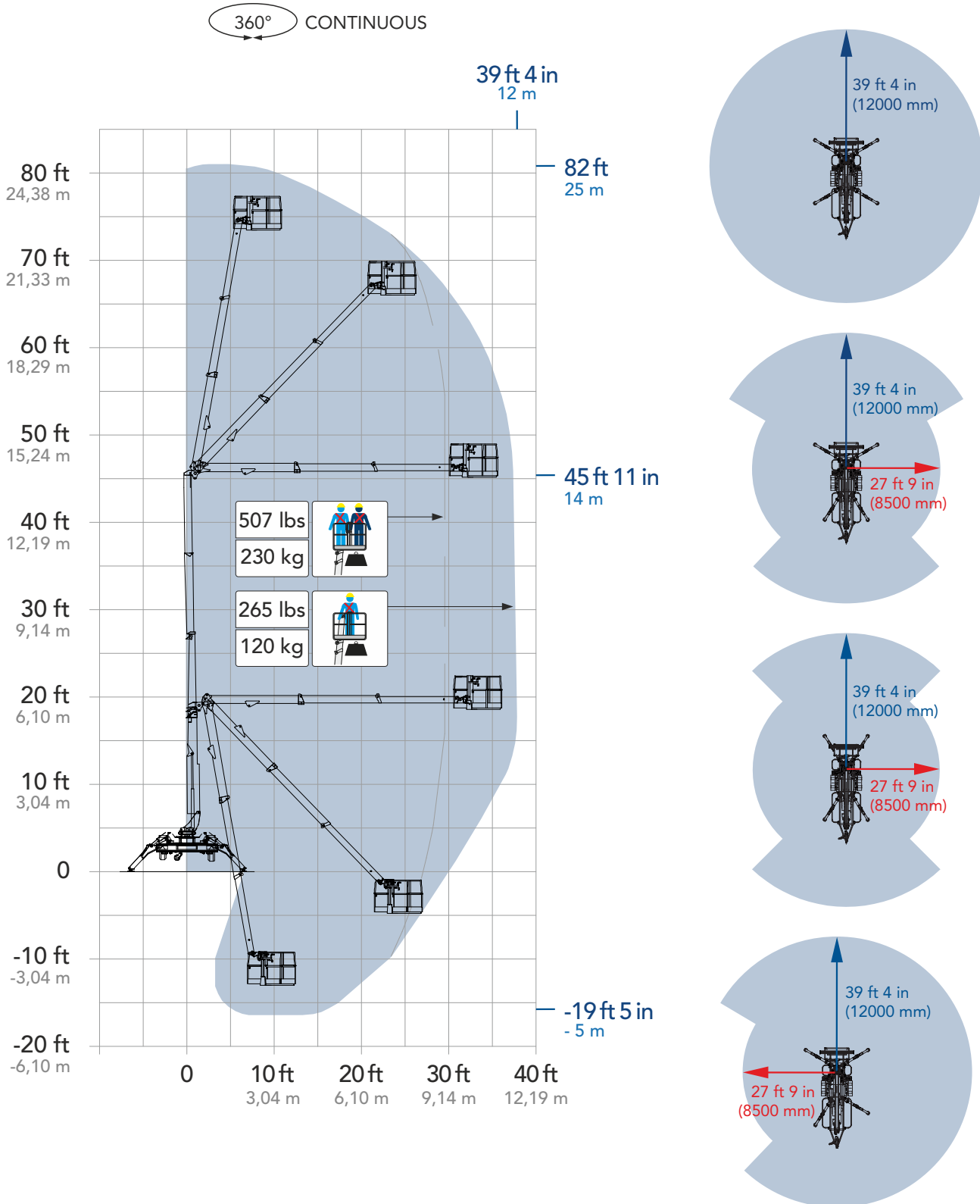
|   | <i>metric</i>                | <i>US</i>                    |
|---|------------------------------|------------------------------|
| Multifunction proportional hydraulic flow-sharing distributor |                              |                              |
| Power source drive - standard                                 | diesel and electric          | diesel and electric          |
| Power source - option   | lithium                      | lithium                      |
| Fuel tank capacity  | 15 lt                        | 3,9 gals                     |
| Hydraulic tank capacity                                       | 120 lt                       | 31,7 gals                    |
| Hydraulic system capacity                                     | 150 lt                       | 40 gals                      |
| Sound pressure level (diesel)                                 | < 96 dBA                     | < 96 dBA                     |
| Sound pressure level (electric)                               | < 56 dBa * internally tested | < 56 dBa * internally tested |

## WEIGHT

|           | <i>metric</i> | <i>US</i> |
|-----------|---------------|-----------|
| Weight CE | 3000 kg       | 6613 lbs  |



|                                    | <i>metric</i> | <i>US</i>   |
|------------------------------------|---------------|-------------|
| Working height                     | 25 m          | 82 ft       |
| Horizontal reach                   | 12 m          | 39 ft 4 in  |
| Up and over clearance              | 14 m          | 45 ft 11 in |
| Negative work (below ground level) | -5 m          | -19 ft 5 in |





**We fly all over**

39' 6" ft / 12 m →

45' 11" ft / 14 m ↑

**Manufacturer authorized exit at height**

**Multipurpose lifting options**

**Like an elevator**

45' 11" ft / 14 m ↑ ↓