

600JP SERIES

ELECTRIC BOOM LIFTS



Performance

Platform Height E/M600JP	18.29 m
Horizontal Outreach E/M600JP	13.11 m
Swing (non-continuous)	400°
Platform Capacity	230 kg
Platform Rotator (hydraulic)	180°
Weight E/M600JP	7,705 kg
Jib – Overall Length E/M600JP	1.24 m
Jib – Range of Rotation E/M600JP	180°
Jib – Range of Articulation E/M600JP	145° (+89°/-56°)
Drive Speed E/M600JP	4.8 km/h
Gradeability E/M600JP 2WD	30%
E/M600JP 4WD	45%
Inside Turning Radius E/M600JP	1.23 m
Outside Turning Radius E/M600JP	4.65 m

Standard Specifications

Power Source

Electrical System	48V DC
Batteries	8 x 6V, 415 AH
Drive Motors	Dual Electric Traction – Brushless AC
Generator Set (M Models)	
Diesel Engine Kubota 45 amp	4.99 kW
Fuel Tank Capacity	49.21 L

Hydraulic System

Capacity	56.78 L
Motor/Pump	Series Wound Motor/Gear Pump

Tyres

E/M600JP	36/14 LL-22.5 Foam-filled Non-marking
----------	--



Standard Features

- 1.83 m Vertical and Lateral Articulating Jib
- Brushless AC Motors
- Operator Tool Tray
- Inward Self-closing Self-locking Swing Gate
- Platform Console Machine Status Light Panel*
- Tilt Light and Alarm
- Hourmeter
- Battery Condition Indicator
- Lifting/Tie-down Lugs
- 400° Non-continuous Rotation
- Removable Battery Box
- Oscillating Axle
- Manual Descent
- Automatic Traction Control (ATC)
- SCR Automatic Battery Charger
- All-motion Alarm
- Flashing Amber Beacon
- SkyGuard® Enhanced Control Panel Protection
- Cylinder Bellows

*Provides indicator lights at platform control console for system distress, fuel level, low fuel, 3° tilt light and foot switch status.

Accessories & Options

- Mesh to Mid Rail
- 1/2 in. Air Line to Platform
- Squawker/White Noise Motion Alarm
- Platform Worklights
- AC Outlet to Platform, Including ELCB



760 rue Bériault, Longueuil, Québec (Canada) J4G 1R8
1-833-360-3330 | info@sosequipment.ca

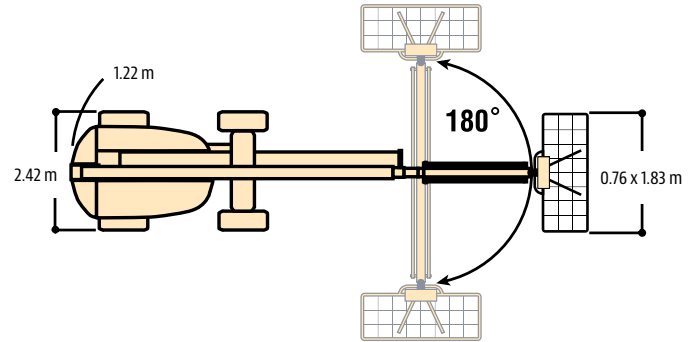
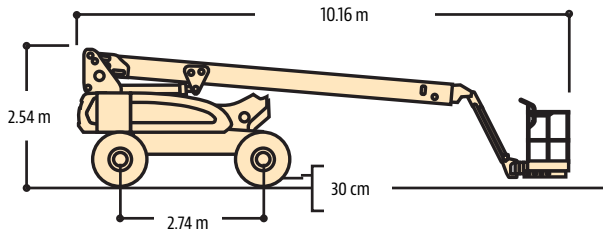
600JP SERIES

ELECTRIC BOOM LIFTS

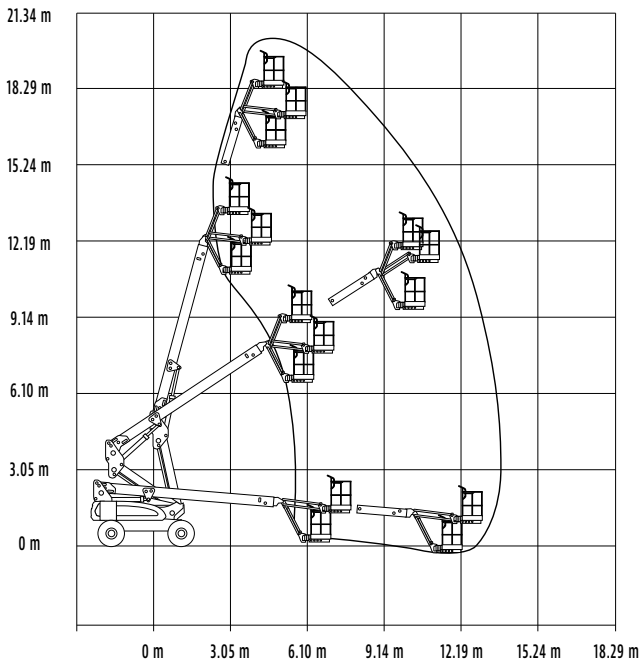


Dimensions

All dimensions are approximate.



Reach Dimensions



760 rue Bériault, Longueuil, Québec (Canada) J4G 1R8
1-833-360-3330 | info@sosequiment.ca

The JLG "1 & 5" Warranty

JLG Industries, Inc., backs its products with its exclusive "1 & 5" Warranty. We provide coverage on all products for one (1) full year and cover all specified major structural components for five (5) years. Due to continuous product improvements, we reserve the right to make specification and/or equipment changes without prior notification. This machine meets or exceeds AS/NZS 1418.10 2011 as originally manufactured for intended applications.



JLG Industries (Australia)

358 Park Road
Regents Park, NSW 2143
Telephone 02 8718 6300
Fax 02 8718 6377
www.jlg.com.au

An Oshkosh Corporation Company