

# 800 SERIES

TELESCOPIC BOOM LIFTS



## Performance

|                              |                 |                         |
|------------------------------|-----------------|-------------------------|
| Platform Height—Elevated     |                 |                         |
| 800S                         | 80 ft           | 24.38 m                 |
| 860SJ                        | 86 ft           | 26.21 m                 |
| Horizontal Outreach          |                 |                         |
| 800S                         | 71 ft           | 21.64 m                 |
| 860SJ                        | 75 ft           | 22.86 m                 |
| Swing                        | 360° Continuous |                         |
| Platform Capacity—           |                 |                         |
| Restricted (800S)            | 1,000 lb        | 454 kg                  |
| Restricted (860SJ)           | 750 lb          | 340 kg                  |
| Platform Capacity—           |                 |                         |
| Unrestricted                 | 500 lb          | 227 kg                  |
| Platform Rotator             | 180° Hydraulic  |                         |
| Jib Range of Articulation    |                 |                         |
| 860SJ                        | 130°            | +70, -60                |
| Weight <sup>1</sup>          |                 |                         |
| 800S                         | 33,030 lb       | 14,982 kg               |
| 860SJ                        | 36,230 lb       | 16,433 kg               |
| Max. Ground Bearing Pressure |                 |                         |
| 800S                         | 72 psi          | 5.06 kg/cm <sup>2</sup> |
| 860SJ                        | 81 psi          | 5.69 kg/cm <sup>2</sup> |
| Drive Speed 2WD              | 3.5 mph         | 5.6 kmph                |
| Drive Speed 4WD              | 3.5 mph         | 5.6 kmph                |
| Gradeability 2WD             | 25%             |                         |
| Gradeability 4WD             | 45%             |                         |
| Turning Radius               |                 |                         |
| Inside                       | 12 ft 6 in.     | 3.8 m                   |
| Outside                      | 19 ft 8 in.     | 6.02 m                  |

1. Certain options or country standards will increase weight.

## Standard Specifications

### Engine

|  |        |         |
|--|--------|---------|
| Dual Fuel Engine,<br>Ford MSG425-DF          | 84 hp  | 62.6 kW |
| Diesel Engine,<br>Deutz TD2.9L4 Tier 4 Final | 67 hp  | 50 kW   |
| Fuel Tank Capacity                           | 31 gal | 117.3 L |

### Hydraulic Reservoir

|          |                         |         |
|----------|-------------------------|---------|
| Capacity | 48 gal                  | 181.7 L |
| Pump     | Fixed Displacement Gear |         |

### Tires

15.625 Pneumatic



## Standard Features

- Hydrostatic Drive
- Dual-Rated Capacities
- Oscillating Axle
- Hydraulic Platform Rotator
- Swing-Out Engine Tray
- 12V DC Auxiliary Power
- Fuel Gauge
- All Motion Alarm
- Gull-Wing Hoods
- Operators Tool Tray
- Lifting/Tie Down Lugs
- 6 ft (1.83 m) Articulating Jib (860SJ Only)
- Platform: 36 x 96 in. (0.91 x 2.44 m) Side Entry
- Glow Plugs (Diesel Engines)
- 110V AC Receptacle in the Platform
- 5 Degree Tilt Alarm/Indicator Light
- Hourmeter
- Control ADE® System
- Proportional Controls
- 15-625 Rim Protector Lug Tread Tires
- Platform Console Machine Status Light Panel\*
- Engine Distress Warning/Shutdown—Selectable via JLG Analyzer

\* Provides indicator lights at platform control console for system distress, fuel level, low fuel, 5 degree tilt light and foot switch status.

## Accessories & Options

- Mesh to Top Rail
- Light Package<sup>1</sup>
- Soft-Touch System
- 15-625 Foam Filled Tires
- Catalytic Muffler
- Hostile Environment Kit<sup>3</sup>
- Tow Package
- Platform Worklights
- Platform: 36 x 72 in. (0.91 x 1.83 m)
- Fall Arrest Platform (Requires Foam Filled Tires)
- Flashing Amber Beacon
- 18-625 Foam Filled Tires
- Cold Weather Start Kit<sup>2</sup>
- Arctic Package<sup>4</sup>
- Special Hydraulic Oils (Consult Factory)
- Accessory Packages:
  - SkyWelder®
  - SkyCutter®
  - SkyPower®
  - SkyGlazier®
  - Pipe Rack
  - Nite Bright®
  - SkyAir®

1. Includes platform mounted work lights and drive/backup lights.

2. Engine block heater, battery heater and oil tank heater.

3. Includes console cover, boom wipers and cylinder bellows.

4. Includes arctic hydraulic hoses (drive and steer only and main boom cable, arctic hydraulic oil, extreme cold engine oil, anti-freeze)



760 rue Bériault, Longueuil, Québec (Canada) J4G 1R8  
1-833-360-3330 | info@sosequiment.ca

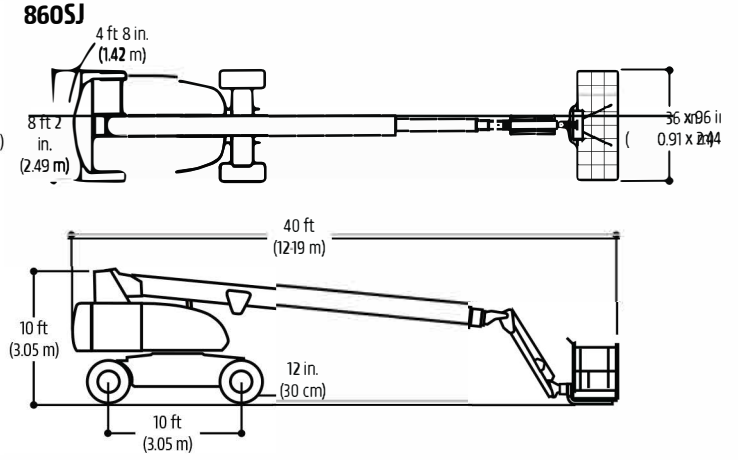
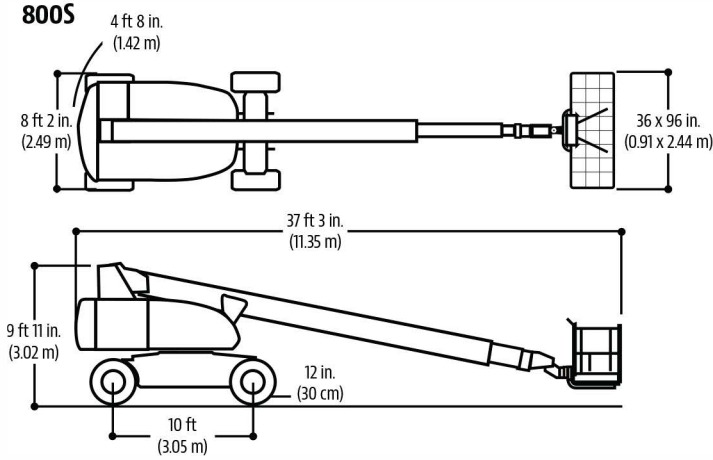
# 800 SERIES

TELESCOPIC BOOM LIFTS

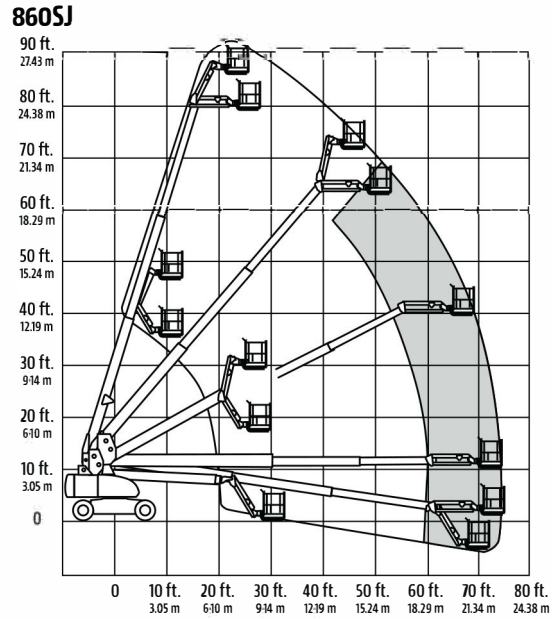
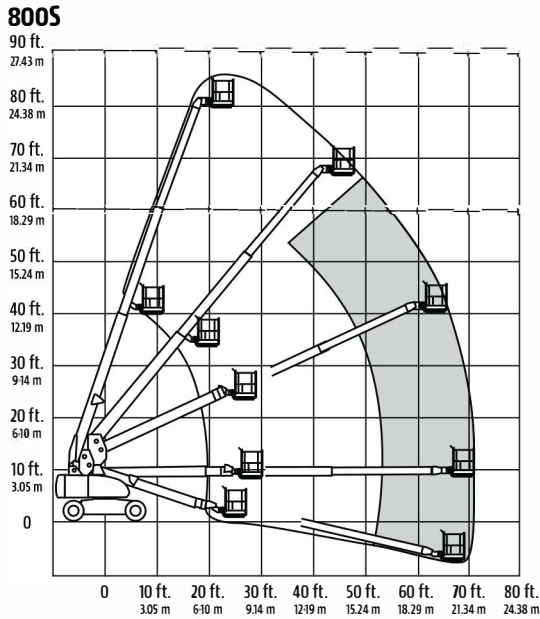


## Dimensions

All dimensions are approximate.



## Reach Diagrams



760 rue Bériault, Longueuil, Québec (Canada) J4G 1R8  
1-833-360-3330 | info@sosequipment.ca



## The JLG "1 & 5" Warranty

We provide coverage for one (1) full year, and cover all specified major structural components for five (5) years. Due to continuous product improvements, we reserve the right to make specification and/or equipment changes without prior notification. This machine meets or exceeds applicable ANSI and CSA requirements based on machine configuration as originally manufactured for intended applications. Please reference the serial number plate on the machine for additional information.

**JLG Industries, Inc.**  
1 JLG Drive  
McCconnellsburg, PA 17233-9533  
Telephone 717-485-5161  
Toll-free in US 877-JLG-LIFT  
Fax 717-485-6417  
[www.jlg.com](http://www.jlg.com)

An Oshkosh Corporation Company