

SPIDER 20.95

TRACKED AERIAL WORKING PLATFORMS

EN



PL / **TFORM**
B A S K E T

RAISING THE STANDARD

SOSEQUIMENT

VENTE | LOCATION | SERVICE | TRANSPORT

1-833-360-3330 | INFO@SOSEQUIMENT.CA



SERIES SPIDER 20.95

Technology and performance that do not fear comparison

- Ultra-light and easy to transport with trailers
- 250 kg capacity in the basket without outreach restrictions
- Excellent obstacle clearance height
- Standard configuration equipped with stabilization and automatic reclosing device
- Versions for every need, Diesel, AC electric, with Lithium ion battery operation
- Remote Control for translation and emergency aerial controls

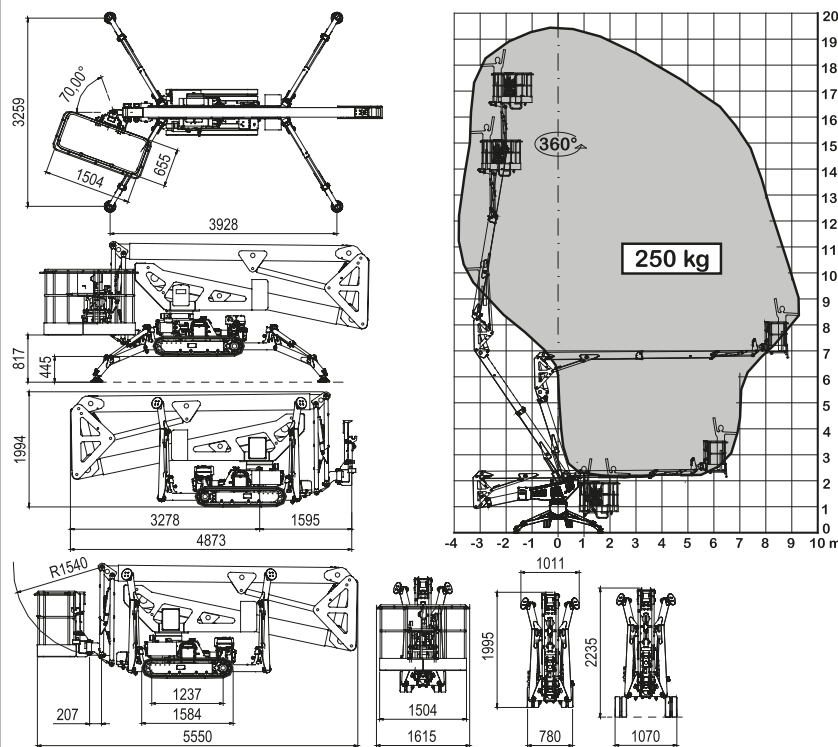
- Absence of pipes and cables outside the arms
- Optimal protection of all exposed parts at risk of falling objects
- Air/water and 230Vac lines available in the basket
- Proportional and adjustable speed in translation and for aerial movements
- Display with operating diagnostics on board the platform

SOSEQUIPMENT

VENTE | LOCATION | SERVICE | TRANSPORT
1-833-360-3330 | INFO@SOSEQUIPMENT.CA



**HYBRID
VERSION**



| TECHNICAL SPECIFICATIONS | | | | |
|--------------------------------------|-----------|-------------|--------------|--------------|
| | | STD | E | ED |
| Maximum working height | m | | 19,40 | |
| Floor height | m | | 17,40 | |
| Maximum side outreach | m | | 9,50 | |
| Rotation angle of the tower | ° | | 400 | |
| Aluminium basket dimensions | m | 1,50 x 0,70 | | |
| Basket rotation angle | ° | 90+90 | | |
| Maximum capacity of basket | Kg | 250 | | |
| Length closed (basket disassembled) | m | 5,55 (4,87) | | |
| Minimum width closed | m | 0,79 | | |
| Minimum height closed | m | 1,99 | | |
| Overall dimensions Stabilization | m | 3,25 x 3,92 | | |
| Maximum horizontal inclination | degrees/% | 20° (36%) | | |
| Maximum side inclination | degrees/% | 17° (31%) | | |
| Maximum speed | Km/h | 1,5 | 0,8 | 1,5 |
| WEIGHTS | | STD | E | ED |
| Weight in work conditions* | Kg | 2700* | 2750* | 2850* |
| Ground pressure stowed machine | KN/m² | 2,94 | 3,21 | 3,36 |
| Ground pressure when on stabilizers | KN/m² | 1,91 | 2,09 | 2,09 |
| Max point load on one stabilizer | KN | 21 | 23 | 23 |
| POWER | | STD | E | ED |
| Honda iGX390 petrol engine | HP/rpm | 12/3600 | - | 12/3600 |
| Z482 Kubota diesel engine (optional) | HP/rpm | 11/3200 | - | 11/3200 |
| Electric motor 220 Vac | CV/KW | 3 / 2,2 | 3 / 2,2 | - |
| Electric Motor 24 Vdc | CV/KW | - | 5,4/4,0 | 5,4/4,0 |
| Traction battery capacity | Ah | - | 200 300 | 150 200 |
| Battery charger | Ah | - | 45 100/50 | 45 100/50 |

* Subject to change depending on configuration.