

SPIDER 22.10

SELF-PROPELLED TRACKED VEHICLES

EN



PL / **TFORM**
B A S K E T

RAISING THE STANDARD

SOSEQUIMENT

VENTE | LOCATION | SERVICE | TRANSPORT

1-833-360-3330 | INFO@SOSEQUIMENT.CA



SERIES SPIDER 22.10

Light & high performance

- Ultra-light and easy to transport
- 230 kg in the basket
- Electric battery or HYBRID version on request
- Easy access to every component subject to maintenance.
- Simple but precise to use.
- Equipped with radio remote control

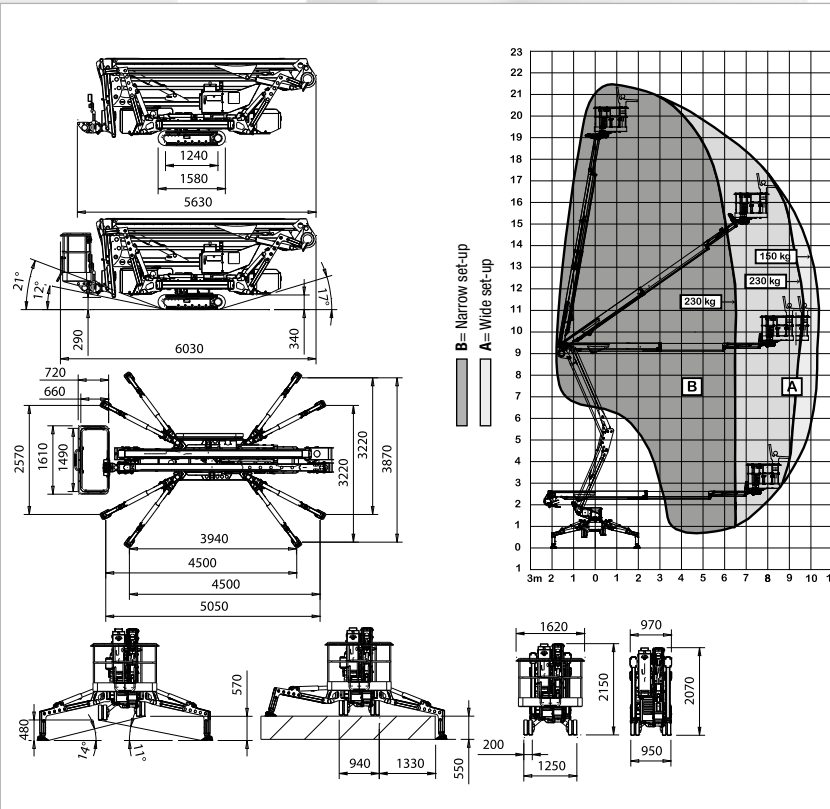
- Triple stabilization set up and automatic outreach
- Multi-width stabilizer settings to enable machine to set up in confined spaces
- Air & Water & 220 Vac outlets into the basket
- Cage interchangeable with winch (optional)

SOSEQUIPMENT

VENTE | LOCATION | SERVICE | TRANSPORT
1-833-360-3330 | INFO@SOSEQUIPMENT.CA



campbellsv.com 31119



TECHNICAL SPECIFICATIONS		STD	E	ED
Maximum working height	m		21,70	
Floor height	m		19,70	
Maximum side outreach	m		10,30	
Rotation angle of the tower	°		365	
Aluminium basket dimensions	m		1,50 x 0,70	
Basket rotation angle	°		90+90	
Maximum capacity of basket	Kg		230	
Length closed (basket disassembled)	m		5,97 (5,28)	
Minimum width closed	m		0,98	
Minimum height closed	m		2,06	
Overall dimensions	Wide Narrow	m	3,87 x 3,94	2,57 x 5,05
Stabilization				
Maximum horizontal inclination	degrees/%		16° (29%)	
Maximum side inclination	degrees/%		17° (31%)	
Maximum speed	Km/h	1,5	0,8	1,5
WEIGHTS		STD	E	ED
Weight in work conditions*	Kg	2980*	3260*	3260*
Ground pressure stowed machine	KN/m²	2,94	3,21	3,21
Ground pressure when on stabilizers	KN/m²	1,91	2,09	2,09
Max point load on one stabilizer	KN	21	23	23
POWER		STD	E	ED
Z602 Kubota diesel engine	HP/rpm	14/3600	-	14/3600
Electric motor 220 Vac	CV/KW	3 / 2,2	3 / 2,2	-
Electric Motor 24 Vdc	CV/KW	-	7,4/5,5	7,4/5,5
Traction battery capacity	24Vdc Lead Acid 24Vdc Lithium Ion	Ah	2x210 400	1x210 300
Battery charger	lead acid lithium ion	Ah	- 45 100/50	45 100/50

* Subject to change depending on configuration.