



GC15S-9 / GC18S-9 / GC20SC-9
GC20S-9 / GC25S-9 / GC30S-9 / GC33S-9
GC35S-9 / GC35S-9 BCS / GC45S-9 / GC45S-9 BCS / GC55C-9 / GC55C-9 BCS

9 SERIES FORKLIFTS

Internal Combustion Cushion Tire Forklifts

3,000 lb. to 12,000 lb. Capacity



Changing the Game

The World Class 9 Series Cushion Trucks from Doosan

www.doosanlift.com

Product Features Overview

Modern Design, Intelligent Engineering

Operator Compartment

Designed for comfort, the operator compartment allows users to find their optimum driving position.

Ergonomically Placed Hydraulic Controls

Strategically placed in the right position to reduce shoulder fatigue for operators of any size.

Operator Sensing System (OSS)

The OSS shuts down travel and lift functions when the operator leaves the seat.

Counterweight & Cooling

The sleek new counterweight design allows better airflow to maximize cooling capacity.

Engine Cover

The redesigned engine cover opens at a wide angle to provide excellent accessibility to the main compartment.

Hydrostatic Steer Axle

Doosan's heavy duty steer axle provides smooth steering control and durability.

Integrated Junction Box

Fuses and relays are neatly organized to simplify maintenance and troubleshooting.



Power, performance, driving comfort, durability, and outstanding fuel efficiency are just a few reasons to choose 'The 9 Series'.



High Visibility Mast

The new mast design is reinforced and allows improved forward visibility.

Ergonomic Steering Column

The telescopic steering column allows the operator to properly adjust for comfort. The steering wheel is sized for reduced operator fatigue.

New Instrument Panel

The full sized LED instrument panel is conveniently located to remain in full view of the operator at all times.

Rigid, Heavy Duty Drive Axle

Durable cast iron housing with reinforced mast mounts assure stability and long life.

OCDB (Oil-cooled Disc Brakes)

The OCDB significantly reduce maintenance and repair costs while increasing stopping power.

Maintenance-friendly Design

The side cover and floor plates provide easy access to the powertrain making maintenance a breeze.

Fewer Recommended Service Intervals

Superior components and intelligent engineering allow these trucks to operate longer between recommended service intervals. This means increased run time and lower cost of ownership.

TECHNICAL DATA

Characteristics	1.1	Manufacturer			Doosan	Doosan	Doosan	
	1.2	Model Designation			GC15S-9	GC18S-9	GC20SC-9	
	1.3	Drive: Diesel, Gasoline, LP			LP	LP	LP	
	1.4	Operator Type: Seated			Seated	Seated	Seated	
	1.5	Load Capacity	Q	lb(kg)	3,000 (1,340)	3,500 (1,560)	4,000 (1,785)	
	1.6	Load Center	c	in(mm)	24 (610)	24 (610)	24 (610)	
	1.8	Load Distance: Center of Driveaxle to Fork	x	in(mm)	15.5 (394)	15.5 (394)	15.7 (399)	
	1.9	Wheelbase	y	in(mm)	50.6 (1,285)	50.6 (1,285)	50.6 (1,285)	
	Weight	2.1	Service Weight			lb(kg)	6,038 (2,739)	6,460 (2,930)
2.2		Axle Loading, Loaded Front/Rear			lb(kg)	7,529/1,462 (3,415/663)	8,393/1,504 (3,807/682)	9,292/1,545 (4,215/701)
2.3		Axle Loading, UnLoaded Front/Rear			lb(kg)	2,266/3,770 (1,028/1,710)	2,266/4,191 (1,028/1,901)	2,266/4,634 (1,028/2,102)
Tires	3.1	Tires: Pneumatic (P), Cushion (C)			C	C	C	
	3.2	Tire size, Front			18 x 6 x 12.12	18 x 6 x 12.12	18 x 6 x 12.12	
	3.3	Tire size, Rear			14 x 5 x 10	14 x 5 x 10	14 x 5 x 10	
	3.5	Wheels, number Front/Rear			2/2	2/2	2/2	
	3.6	Tread, Front	b11	in(mm)	31.0 (786)	31.0 (786)	31.0 (786)	
	3.7	Tread, Rear	b12	in(mm)	32.0 (814)	32.0 (814)	32.0 (814)	
	Dimensions	4.1	Tilt of Mast Forward/Backward	a/b	°	6/8	6/8	6/8
4.2		Height, Mast lowered	h1	in(mm)	78.0 (1,980)	78.0 (1,980)	78.0 (1,980)	
4.3		Free Lift	h2	in(mm)	5.1 (130)	5.1 (130)	5.3 (135)	
4.4		Max Fork Height	h3	in(mm)	118.0 (3,000)	118.0 (3,000)	118.0 (3,000)	
4.5		Height, Mast Extended	h4	in(mm)	159.3 (4,045)	159.3 (4,045)	159.4 (4,050)	
4.7		Height of Overhead Guard (Cabin)	h6	in(mm)	81.0 (2,060)	81.0 (2,060)	81.0 (2,060)	
4.8		Height of Seat	h7	in(mm)	41.5 (1,055)	41.5 (1,055)	41.5 (1,055)	
4.19		Overall Length	l1	in(mm)	124.1 (3,152)	124.9 (3,173)	127.1 (3,228)	
4.20		Length to Forkface	l2	in(mm)	82.8 (2,102)	83.6 (2,123)	85.7 (2,178)	
4.21		Overall Width	b1/b2	in(mm)	37.0 (940)	37.0 (940)	37.0 (940)	
4.22		Fork Dimensions	s/e/l	in (mm)	1.4x4x41 (35x100x1,050)	1.4x4x41 (35x100x1,050)	1.4x4x41 (35x100x1,050)	
4.23		Fork Carriage ISO 2328, Class/Type A,B			II/A	II/A	II/A	
4.24		Fork Carriage Width	b3	in(mm)	37.0 (940)	37.0 (940)	37.0 (940)	
4.31		Ground Clearance, Loaded (Below Mast)	m1	in(mm)	3.0 (75)	3.0 (75)	3.0 (75)	
4.32		Ground Clearance, Center of Wheelbase	m2	in(mm)	4.1 (105)	4.1 (105)	4.1 (105)	
4.34.1		Aisle Width for Pallets L=48" x W=40"	Ast	in(mm)	127.6 (3,242)	129.3 (3,284)	130.5 (3,314)	
4.35		Turning Radius	Wa	in(mm)	71.9 (1,826)	73.5 (1,867)	74.4 (1,891)	
4.36	Internal Turning Radius	b13	in(mm)	23.8 (605)	23.8 (605)	23.8 (605)		
Performance Data	5.1	Travel Speed, Loaded/Unloaded		mph (km/h)	11.1/11.1 (17.8/17.8)	11.1/11.1 (17.8/17.8)	11.1/11.1 (17.8/17.8)	
	5.2	Lift Speed, Loaded/Unloaded		fpm (m/s)	126/130 (0.64/0.66)	124/130 (0.63/0.66)	122/130 (0.62/0.66)	
	5.3	Lowering Speed, Loaded/Unloaded		fpm (m/s)	100.4/98.4 (0.51/0.5)	100.4/98.4 (0.51/0.5)	100.4/98.4 (0.51/0.5)	
	5.5	Drawbar pull, Loaded/Unloaded (@ 1mph)		lb(N)	3,196 (14,225)	3,196 (14,225)	3,196 (14,225)	
	5.6	Max. Drawbar pull, Loaded/Unloaded		lb(N)	3,636 (16,180)	3,636 (16,180)	3,636 (16,180)	
	5.7	Gradeability, Loaded/Unloaded (@ 1mph)		%	38.5/69.4	33.0/60.1	31.0/56.1	
	5.8	Max. Gradeability, Loaded/Unloaded		%	46.8/90.1	39.8/76.0	36.5/70.3	
	5.10	Service Brake			Foot/Hydraulic	Foot/Hydraulic	Foot/Hydraulic	
	Combustion Engine	7.1	Engine Manufacturer/Type			PSI/4G63	PSI/4G63	PSI/4G63
		7.2	Engine Power		hp(kW)	50.6 (37.7)	50.6 (37.7)	50.6 (37.7)
7.3		Rated Speed		min-1	2,450	2,450	2,450	
7.3.1		Torque at 1/min		ft•lbs (N•m)	110@1,800 (148.7@1,800)	110@1,800 (148.7@1,800)	110@1,800 (148.7@1,800)	
7.4		Number of Cylinders/Displacement		-/cc(-/cm3)	4/1,997	4/1,997	4/1,997	
7.10		Battery Voltage/Normal Capacity		V/Ah	12/45	12/45	12/45	
Oth.	10.1	Operating Pressure for Attachments		psi(bar)	2,553 (176)	2,553 (176)	2,553 (176)	
	10.2	Oil Volume for Attachments		gpm(l/min)	13.2 (50)	13.2 (50)	13.2 (50)	

Note: Specification values quoted in this spec sheet have been rounded, exclude LBR & attachment values. Performance may vary due to operating conditions. Products and specifications are subject to improvement and change without prior notice.



Characteristics	1.1	Doosan	Doosan	Doosan	Doosan	Doosan
	1.2	GC20S-9	GC25S-9	GC30S-9	GC33S-9	GC35S-9
	1.3	LP	LP	LP	LP	LP
	1.4	Seated	Seated	Seated	Seated	Seated
	1.5	4,000 (1,800)	5,000 (2,250)	6,000 (2,700)	6,500 (2,950)	8,000 (3,629)
	1.6	24 (610)	24 (610)	24 (610)	24 (610)	24 (610)
	1.8	16.3 (415)	16.3 (415)	16.5 (420)	16.5 (420)	17.6 (447)
	1.9	56.3 (1,430)	56.3 (1,430)	56.3 (1,430)	56.3 (1,430)	61.8 (1,570)
	Weight	2.1	7,400 (3,365)	8,200 (3,715)	9,300 (4,225)	9,750 (4,430)
2.2		9,920/1,480 (4,495/670)	11,450/1,750 (5,185/780)	13,350/1,950 (6,045/880)	14,110/2,140 (6,410/970)	18,043/3,427 (8,184/1,554)
2.3		3,100/4,300 (1,405/1,960)	2,930/5,270 (1,325/2,390)	3,080/6,220 (1,400/2,825)	2,940/6,810 (1,335/3,095)	4,657/8,813 (2,112/3,997)
Tires	3.1	C	C	C	C	C
	3.2	21x7-15	21x7-15	21x8-15	21x8-15	22 x 9 x16
	3.3	16x5-10.5	16x5-10.5	16x6-10.5	16x6-10.5	18 x 7 x 12.2
	3.5	2/2	2/2	2/2	2/2	2/2
	3.6	34.9 (887)	35.9 (912)	35.9 (912)	35.7 (907)	41.0 (1,042)
	3.7	36.0 (915)	36.0 (915)	36.0 (915)	35.0 (890)	41.1 (1,044)
	Dimensions	4.1	6/8	6/8	6/8	6/8
4.2		83.9 (2,130)	83.9 (2,130)	83.9 (2,130)	83.9 (2,130)	84.1 (2,135)
4.3		5.8 (147)	5.8 (147)	6.0 (152)	6.0 (152)	6.3 (160)
4.4		127.0 (3,230)	127 (3,230)	127 (3,230)	127 (3,230)	113.4 (2,880)
4.5		176.4 (4,480)	176.4 (4,480)	176.4 (4,480)	176.4 (4,480)	162.0 (4,115)
4.7		83.6 (2,125)	83.6 (2,125)	83.6 (2,125)	83.6 (2,125)	84.8 (2,155)
4.8		43.0 (1,095)	43.0 (1,095)	43.0 (1,095)	43.0 (1,095)	43.5 (1,105)
4.19		130.9 (3,325)	133.1 (3,380)	135.4 (3,440)	136.8 (3,475)	149.2 (3,790)
4.20		89.6 (2,275)	91.7 (2,330)	94.1 (2,390)	95.5 (2,425)	102.0 (2,590)
4.21		41.9 (1,065)	41.9 (1,065)	43.7 (1,110)	43.7 (1,110)	50.0 (1,270)
4.22		1.6x3.9x41.3 (40x100x1,050)	1.6x3.9x41.3 (40x100x1,050)	1.8x4.9x41.3 (45x125x1,050)	1.8x4.9x41.3 (45x125x1,050)	2.0x5.9x47.2 (50x150x1,200)
4.23		II/A	II/A	III/A	III/A	III/A
4.24		38.3 (973)	38.3 (973)	40.35 (1,025)	40.35 (1,025)	44.6 (1,132)
4.31		4.33 (110)	4.33 (110)	4.33 (110)	4.33 (110)	4.3 (110.5)
4.32		5.31 (135)	5.31 (135)	5.31 (135)	5.31 (135)	5.1 (130)
4.34.1		142.3 (3,615)	144.3 (3,665)	146.5 (3,720)	147.6 (3,750)	163.9 (4,164)
4.35		76.2 (1,935)	78 (1,980)	80.3 (2,040)	81.5 (2,070)	90.5 (2,298)
4.36	25.4 (644)	25.4 (644)	25.4 (644)	25.4 (644)	29.5 (750)	
Performance Data	5.1	10.6/10.9 (17/17.5)	10.6/10.9 (17/17.5)	10.3/10.9 (16.5/17.5)	10.3/10.9 (16.5/17.5)	10.2/10.5 (16.4/16.9)
	5.2	124/128 (0.63/0.65)	122/128 (0.62/0.65)	120/128 (0.61/0.65)	118/128 (0.60/0.65)	120.1/126.0 (0.61/0.64)
	5.3	100.4/90.5 (0.51/0.46)	100.4/90.5 (0.51/0.46)	100.4/90.5 (0.51/0.46)	100.4/90.5 (0.51/0.46)	100.4/88.6 (0.51/0.45)
	5.5	4,760/3,880 (17,540/17,250)	3,950/3,920 (17,540/17,410)	4,100/4,010 (18,230/17,850)	3,920/3,870 (17,440/17,220)	7,181/7,209 (31,987/32,115)
	5.6	4,400/4,300 (19,580/19,130)	4,410/4,350 (19,610/19,330)	4,620/4,470 (20,520/19,880)	4,420/4,300 (19,630/19,130)	7,154/8,224 (31,870/36,632)
	5.7	33.0/54.4	28.0/48.6	25.5/43.5	22.0/39.1	36.0/64.0
	5.8	37.5/62.3	30.4/53.3	28.8/49.6	24.8/44.2	42.0/77.0
	5.10	Foot/Hydraulic	Foot/Hydraulic	Foot/Hydraulic	Foot/Hydraulic	Foot/Hydraulic
Combustion Engine	7.1	GCT/K25	GCT/K25	GCT/K25	GCT/K25	Kubota / WG3800
	7.2	59.0 (44.0)	59.0 (44.0)	59.0 (44.0)	59.0 (44.0)	92.5 (69.0)
	7.3	2,600	2,600	2,600	2,600	2,500
	7.3.1	132.9@1,600 (180.2)@1,600	132.9@1,600 (180.2)@1,600	132.9@1,600 (180.2)@1,600	132.9@1,600 (180.2)@1,600	213.9@1,800 (290)@1,800
	7.4	4/2,488	4/2,488	4/2,488	4/2,488	4/3,769
	7.10	12/50	12/50	12/50	12/50	12/75
Oth.	10.1	2,260 (156)	2,260 (156)	2,260 (156)	2,260 (156)	2,330 (160)
	10.2	15.9 (60)	15.9 (60)	15.9 (60)	15.9 (60)	31.7 (120)

Note: Specification values quoted in this spec sheet have been rounded, exclude LBR & attachment values. Performance may vary due to operating conditions. Products and specifications are subject to improvement and change without prior notice.

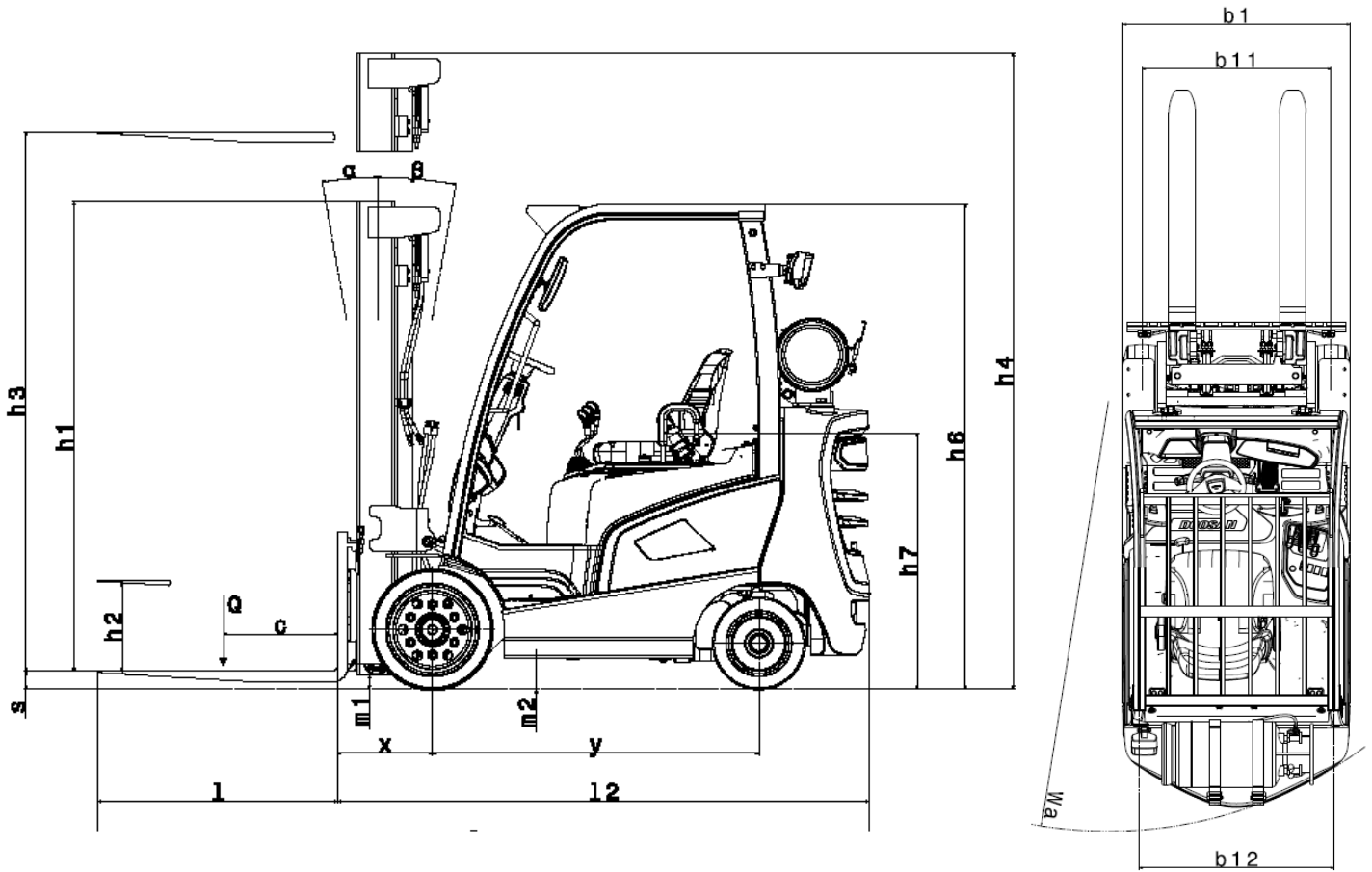


Characteristics	1.1	Doosan	Doosan	Doosan	Doosan	Doosan	
	1.2	GC355-9 BCS	GC455-9	GC455-9 BCS	GC55C-9	GC55C-9 BCS	
	1.3	LP	LP	LP	LP	LP	
	1.4	Seated	Seated	Seated	Seated	Seated	
	1.5	8,000 (3,629)	10,000 (4,536)	10,000 (4,536)	12,000 (5,443)	12,000 (5,443)	
	1.6	24 (610)	24 (610)	24 (610)	24 (610)	24 (610)	
	1.8	17.6 (447)	18.0 (457)	17.6 (447)	18.0 (457)	18.0 (457)	
	1.9	61.8 (1,570)	70.5 (1,790)	61.8 (1,570)	70.5 (1,790)	70.5 (1,790)	
	Weight	2.1	12,808 (5,810)	15,754 (7,146)	14,658 (6,649)	16,702 (7,576)	16,340 (7,412)
2.2		18,378/2,430 8,336/1,102)	20,830/4,924 (9,448/2,234)	21,744/2,914 (9,863/1,322)	23,948/4,753 (10,863/2,156)	24,257/4,083 (11,003/1,852)	
2.3		4,992/7,816 (2,264/3,545)	4,869/10,885 (2,208/4,937)	4,884/9,774 (2,215/4,433)	4,795/11,906 (2,175/5,401)	5,104/11,236 (2,315/5,097)	
Tires	3.1	C	C	C	C	C	
	3.2	22 x 9 x16	22 x 12 x16	22 x 12 x16	22 x 12 x16	22 x 12 x16	
	3.3	18 x 7 x 12.2	18 x 8 x 12.2	18 x 8 x 12.2	18 x 8 x 12.2	18 x 8 x 12.2	
	3.5	2/2	2/ 2	2/ 2	2/ 2	2/ 2	
	3.6	41.0 (1,042)	43.9 (1,116)	43.9 (1,116)	43.9 (1,116)	43.9 (1,116)	
	3.7	41.1 (1,044)	41.1 (1,044)	41.1 (1,044)	41.1 (1,044)	41.1 (1,044)	
	Dimensions	4.1	5/6	5/6	5/6	5/6	5/6
4.2		84.1 (2,135)	86.0 (2,185)	86.0 (2,185)	86.0 (2,185)	86.0 (2,185)	
4.3		6.3 (160)	6.3 (160)	6.3 (160)	6.3 (160)	6.3 (160)	
4.4		113.4 (2,880)	113.4 (2,880)	113.4 (2,880)	103.5 (2,630)	103.5 (2,630)	
4.5		162.0 (4,115)	169.9 (4,315)	169.9 (4,315)	160.0 (4,065)	160.0 (4,065)	
4.7		84.8 (2,155)	84.8 (2,155)	84.8 (2,155)	84.8 (2,155)	84.8 (2,155)	
4.8		43.5 (1,105)	43.5 (1,105)	43.5 (1,105)	43.5 (1,105)	43.5 (1,105)	
4.19		144.8 (3,681)	153.1 (3,889)	148.5 (3,772)	155.5 (3,950)	151.7 (3,853)	
4.20		97.6 (2,480)	105.9 (2,690)	101.3 (2,573)	108.3 (2,750)	104.5 (2,655)	
4.21		50.0 (1,270)	55.9 (1,420)	55.9 (1,420)	55.9 (1,420)	55.9 (1,420)	
4.22		2.0x5.9x47.2 (50x150x1,200)	2.4x5.9x47.2 (60x150x1,200)	2.4x5.9x47.2 (60x150x1,200)	2.4x5.9x47.2 (60x150x1,200)	2.4x5.9x47.2 (60x150x1,200)	
4.23		III/A	IV/A	IV/A	IV/A	IV/A	
4.24		44.6 (1,132)	50.8 (1,290)	50.8 (1,290)	50.8 (1,290)	50.8 (1,290)	
4.31		4.3 (110.5)	4.3 (110.5)	4.3 (110.5)	4.3 (110.5)	4.3 (110.5)	
4.32		5.1 (130)	5.1 (130)	5.1 (130)	5.1 (130)	5.1 (130)	
4.34.1		148.3 (3,767)	160.6 (4,078)	153.7 (3,905)	162.8 (4,136)	160.4 (4,073)	
4.35		82.8 (2,104)	95.1 (2,415)	87.9 (2,232)	97 (2,463)	94.5 (2,400)	
4.36	29.5 (750)	29.5 (750)	29.5 (750)	29.5 (750)	29.5 (750)		
Performance Data	5.1	10.2/10.5 (16.4/16.9)	10.0/10.5 (16.1/16.9)	10.2/10.4 (16.4/16.8)	10.0/10.5 (16.0/16.9)	10.0/10.5 (16.1/16.9)	
	5.2	120.1/126.0 (0.61 /0.64)	116.1/126.0 (0.59/0.64)	116.1/126.0 (0.59/0.64)	110.2/126.0 (0.56/0.64)	110.2/126.0 (0.56/0.64)	
	5.3	100.4/88.6 (0.51/0.45)	100.4/88.6 (0.51/0.45)	100.4/88.6 (0.51/0.45)	100.4/ 88.6 (0.51/0.45)	100.4/88.6 (0.51/0.45)	
	5.4	7,198/7,227 (32,066/32,193)	7,016/7,143 (31,252/31,821)	7,152/7,181 (31,860/31,987)	6,939/7,117 (30,909/31,703)	6,948/7,128 (30,948/31,752)	
	5.6	8,270/ 8,241 (36,838/36,711)	8,070/8,153 (35,946/36,319)	8,224/8,195 (36,632/36,505)	7,993/8,127 (35,603/36,201)	8,001/8,136 (35,643/36,240)	
	5.7	38.0/69.0	29.0/51.0	34.0/56.0	25.0/47.0	25.0/47.0	
	5.8	44.0/84.0	33.0/61.0	35.0/68.0	29.0/56.0	29.0/58.0	
	5.10	Foot/Hydraulic	Foot/Hydraulic	Foot/Hydraulic	Foot/Hydraulic	Foot/Hydraulic	
	Combustion Engine	7.1	Kubota / WG3800	Kubota / WG3800	Kubota / WG3800	Kubota / WG3800	Kubota / WG3800
		7.2	92.5 (69.0)	92.5 (69.0)	92.5 (69.0)	92.5 (69.0)	92.5 (69.0)
7.3		2,500	2,500	2,500	2,500	2,500	
7.3.1		213.9@1,800 (290)@1,800	213.9@1,800 (290)@1,800	213.9@1,800 (290)@1,800	213.9@1,800 (290)@1,800	213.9@1,800 (290)@1,800	
7.4		4/3,769	4/3,769	4/3,769	4/3,769	4/3,769	
7.10		12/75	12/75	12/75	12/75	12/75	
Oth.	10.1	2,030 (140)	2,030 (140)	2,030 (140)	2,030 (140)	2,030 (140)	
	10.2	31.7 (120)	31.7 (120)	31.7 (120)	31.7 (120)	31.7 (120)	

Note: Specification values quoted in this spec sheet have been rounded, exclude LBR & attachment values. Performance may vary due to operating conditions. Products and specifications are subject to improvement and change without prior notice.



DIMENSIONAL DRAWINGS



 **SOSEQUIMENT**

760 rue Bériault, Longueuil, Québec (Canada) J4G 1R8
1-833-360-3330 | info@sosequiment.ca