



**SOSEQUIMENT**

760 rue Bériault, Longueuil, Québec (Canada) J4G 1R8  
1-833-360-3330 | info@sosequiment.ca

**For Earth, For Life**

**Kubota**

**TLB**

## KUBOTA DIESEL TRACTOR B26/L47/M62

Equipped with performance-matched loader and backhoe, these workhorse tractors bring professional results to a wide range of landscaping, construction, and contracting jobs.



# One TLB that does it all, from loading



Here's the utility machine you've been waiting for. One machine that can do the work of three. It's a compact, high-performance tractor-loader-backhoe. An efficient front loader that can also do pallet fork and other implement work. And a backhoe with outstanding digging capacity and digging depth.

Designed and built for independent contractors, landscapers, and rental services, the Kubota B26, L47 and M62 are high performance tractors that offer the high level of performance you need to ensure professional results for every job you do.

The Kubota B26, L47 and M62 are single versatile, compact, highly mobile machines that let you do all the jobs that you need a tractor, front loader and backhoe to do.

And do them all with power, speed, and efficiency.

ng to digging and a whole lot more.



KUBOTA DIESEL TRACTOR  
**B26/L47/M62**

**The M62's powerful 63HP engine and performance-matched loader and backhoe offer professional results on everything from landscaping jobs to construction sites.**

# M62

- Engine gross horsepower: 63.0 HP\*
- PTO horsepower: 46.0 HP
- Front loader: 3960 lbs. lift capacity
- Backhoe: 169.8 in. max. digging depth
- Operating weight: 8925 lbs.
- Transmission: HST Plus (6 range)
- Panel: Side IntelliPanel™
- 3-point hitch: category I & II (optional)



**Sporting an HST Plus transmission and packed with power, the L47 tractor/loader/backhoe is ideal for rental users, contractors, landscapers and homeowners seeking professional results.**

# L47

- Engine gross horsepower: 47.1 HP\*
- PTO horsepower: 33.0 HP
- Front loader: 2848 lbs. lift capacity
- Backhoe: 121 in. max. digging depth
- Operating weight: 7205 lbs.
- Transmission: HST Plus (6 range)
- Panel: Side IntelliPanel™
- 3-point hitch: category I (optional)



**Kubota's innovative compact tractor/loader/backhoe offers greater power, versatility, and durability with its integrated loader and quick detach backhoe.**

# B26

- Engine gross horsepower: 24.3HP HP\*
- PTO horsepower: 19.5 HP
- Front loader: 1102 lbs. lift capacity
- Backhoe: 99.8 in. max. digging depth
- Operating weight: 4001 lbs.
- Transmission: HST (3 range)
- Panel: Front type
- 3-point hitch: category I (optional)



# FUNCTION CHART

Functions		B26	L47	M62
Loader	Hydraulic Circuit-switching Lever	N/A	Std	Std (on deck)
	Throttle-up Switch	N/A	Std	Std
	Slanted Boom Design	Std	Std	Std
	Boom Stopper (Meets Osha1926.600)	N/A	Std	Std
	Bucket Level Indicator	Std	Std	Std
	Auto Leveling Valve	N/A (Std. Mech. spill guard)	Std	Std
	Mechanical 2-lever Quick Coupler	Std	Std	Std
	Hydraulic 2-lever Quick Coupler	N/A	Opt	Opt
	3rd Function Valve	Opt	Opt	Opt
	Front Guald	Std	Std	Std
	Integrated Main Frame	Std	Std	Std
Backhoe (If equipped)	Quick Coupler	Opt (TLB original)	Opt (Compatible with MB)	Opt (Compatible with MB)
	Remote Hydraulic Valve	Op	Opt	Opt
	Stabilizer Guard	N/A	Opt	Std
	Reversible Seat	Std	Std	Std
	Curved Backhoe Boom	Std	Std	Std
	Thumb Bracket	Std	Std	Std
	Flip-over Stabilizer Pad	Std	Std	Std
	Rubber Stabilizer Pad	Opt	Opt	Opt
	Quick-mount Attach/detach	Std	Std	Std
	Backhoe Crawling Mode	N/A	Std	Std
	Tractor	Hydraulic Independent PTO	Std	Std
3-point Hitch		Opt (Cat.I)	Opt (Cat.I)	Opt (Cat.I & II)
3-point Hitch Storage		Std	Opt	Opt
IntelliPanel™		N/A (Front mount panel)	Std (Side mount)	Std (Side mount)
Auto Throttle Advance		N/A	Std	Std
Hydro Dual Speed (H-ds)		N/A	Std	Std
Hst Response Control		N/A	Std	Std
Stall Guard Plus And Auto H-ds		N/A	Std	Std
Slanted Bonnet Design		Std	Std	Std
Horn		Opt	Std	Std
Back Buzzer		Opt	Std	Std
Head Light / Work Light		Front 2, Rear 2 (Opt. F2, R2)	Front 2, Rear 2 (Opt. F2, R2)	Front 2, Rear 2 (Opt. F2, R2)
Four-wheel Drive		Std	Std	Std
Spark Arrestor		Std	-	-
DPF Muffler		-	Std	Std
Tilt Handle		Std	Std	Std
ROPS/FOPS		Std	Std (meets OSHA1926 1001/1003)	Std (meets OSHA1926 1001/1003)
Seat Belt		Std	Std	Std
Auxiliary Hydraulic Valve		Opt	Opt	Opt
Drawbar		Opt	Opt	Opt
Differential Lock	Std	Std	Std	
Parking Brake	Std	Std	Std	

# Kubota Quality

---

Top to bottom, front to back, and inside and out, Kubota's B26, L47 and M62 TLBs are engineered for quality. These TLB incorporate the best of Kubota's advanced technology in every detail and function to ensure both superior performance and supreme operator comfort. No matter how you measure quality, the TLB Series delivers.



## Original engines

Powerful yet clean, Kubota's new engines feature a Common Rail direct-injection system\* that reduces emissions and increases fuel economy while maintaining high levels of power and torque. These reliable engines also boast a Diesel Particulate Filter (DPF)\* and Exhaust Gas Recirculation system (EGR)\*. Put it all together and you get greater fuel savings as well as a certified Tier 4 Final emissions regulations engine.

*\*L47/M62 models.*

## HST Plus (M62/L47)

Tackle any task with ease and efficiency. With extraordinary precision, HST Plus's automated control of both the HST pump and drive motor gives you optimal performance, regardless of the task, working conditions, or operator expertise.

- Auto Throttle Advance
- Hydro Dual Speed (H-DS)
- HST Response Control
- Stall Guard Plus and Auto H-DS



## IntelliPanel™ (M62/L47)

The large, easy to read LCD panel provides all of the vital information you need to keep your TLB in peak working condition for maximum productivity. Indicators, displays, and sensor messages include current working status, engine conditions, fuel and oil warning signals, and a variety of maintenance indicators, so you'll always know how the tractor is functioning and when you need to refuel or perform maintenance.



# FRONT LOADER

Even the most demanding loading tasks are no match for Kubota's performance-matched front loaders. With excellent performance, superior versatility and better operability, these front loaders are ready to save you time and effort on every job you do.



**2 lever quick coupler  
attachments**





## Hydraulic circuit-switching lever (M62/L47)

The lever re-directs the hydraulic oil flow when the backhoe is not in use. Instead of going to the backhoe circuits, the flow returns to the tank, thus reducing hydraulic heat build up resulting from a continuous use of hydraulic front attachments. On the M62, the lever is mounted on the deck for easy access.

## Throttle-up switch (M62/L47)

When you need extra power and speed for loader work but don't want to move faster, reach for the throttle-up switch. It increases engine speed (rpm) without increasing travel speed. It also enhances fuel efficiency.

## Mechanical 2-lever quick coupler (standard)

## Hydraulic 2-lever quick coupler (optional) (M62/L47)

Kubota's 2-lever quick coupler lets you quickly and easily attach and detach front implements. With the optional hydraulic 2-lever quick coupler, you won't even need to leave your seat. Simply press two buttons to release the levers, back away from the now-detached implement, move into the next implement, and press the buttons to re-engage the levers. Changing implements couldn't be easier!



## Max. lifting height

**B26: 94.5 in. (2400 mm)**

**L47: 113.9 in. (2893 mm)**

**M62: 126.1 in. (3203 mm)**



# BACKHOE

More than just a productive front loader, more than just a powerful tractor, this versatile machine is also a highly efficient backhoe that lets you dig deeper and reach farther to power through even the toughest backhoe jobs. You'll also dig faster, thanks to a quick-hitch system that makes switching buckets a breeze and four-point quick-mount system that makes quick work of attaching and detaching the backhoe. Add a backhoe crawling mode for efficient repositioning, and you have a versatile TLB that can do it all with speed and efficiency.



## Bucket Digging Force

**B26: 4210 lbs. (18731 N)**

**L47: 5825 lbs. (25892 N)**

**M62: 6572 lbs. (29234 N)**

## Max digging depth

**B26: 99.8 in. (2535 mm)**

**L47: 121.0 in. (3073 mm)**

**M62: 169.8 in. (4312 mm)**

## Flip-over stabilizer pad

Switch from road-use side to steel anchor by simply rotating the unit by hand. No tools needed!

## Quick-mount attach/detach

A four-point quick-mount system lets you quickly and easily detach the backhoe. When needed again, the backhoe can be reattached just as quickly and easily.

## Quick coupler

The backhoe's quick coupler lets you quickly switch buckets and get back to digging. The L47/M62 Quick Coupler is compatible with select Kubota compact excavator buckets.



## Backhoe crawling mode (M62/L47)

Now you can save time when repositioning during backhoe operations. The backhoe crawling mode lets you creep forward or backward with the touch of a finger while remaining at the backhoe controls. It's so simple, you won't even need to change the seat position!



# TRACTOR

Get ready for some fast, mobile, and productive tractor work. The Kubota B26, L47 and M62 are unrivaled in the TLB category, offering the operability of 4-wheel drive, the mobility of a compact size, and productivity that comes from a wide range of standard and optional features.



## Independent PTO

Get even more work done by attaching a wide range of PTO-driven implements, including rotary tillers, post hole diggers, snow blowers and rear-mounted mowers. The 540 RPM PTO is hydraulic-independent, letting you engage and disengage the PTO without stopping the tractor.

## Category I and II 3-point hitch (optional)

Do even more by attaching any of a wide array of rear-mounted implements to the Category I and II 3-point hitch. Attachment is quick and easy, and the hitch provides astonishing lift capacity. (B26/L47 are Category I only.)



## Transporting this workhorse is easy (L47/B26)

Easy and fast. Even with both loader and backhoe attached, the compact B26 and L47 can be loaded on a 10,000-lb. GVWR rated trailer pulled by a 3/4-ton pickup truck, letting you quickly and efficiently move to the next job site.

# FRONT VIEW



# REAR VIEW



# B26



## B26 TRACTOR SPECIFICATIONS

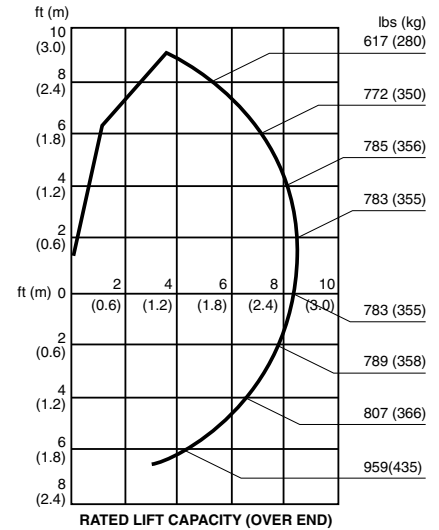
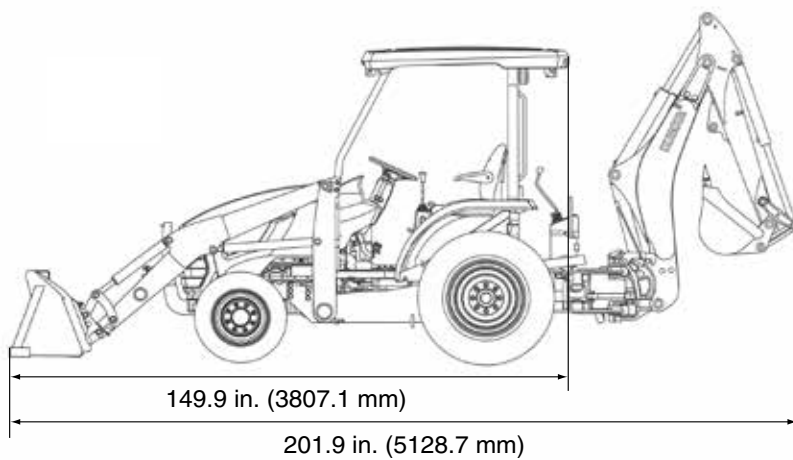
	Non-road emission std.	EPA Final Tier 4
<b>Engine</b>	Gross power*	24.3 HP (18.1 kw)
	Net power**	23.1 HP (17.2 kw)
	Total displacement	68.5 cu.in. (1123 cm <sup>3</sup> )
	No. of cylinders	3
	Rated speeds	2800 rpm
	Air cleaner	Single element
	<b>Max. PTO power</b>	
<b>Fuel tank capacity</b>		8.2 gal (31 liters)
<b>Tire size</b>	Front	23 × 8.5–14 R4 (IND)
	Rear	12.4–16 R4 (IND)
<b>Wheelbase</b>		62.2 in. (1581 mm)
<b>Tread</b>	Front	35.6 in (905 mm)
	Rear	41.3 in (1050 mm)
<b>Weight with loader, backhoe and ROPS/FOPS*<sup>1)</sup></b>		4001 lbs (1815 kg)* <sup>1)</sup>
<b>Min. turning radius*<sup>2)</sup></b>		8.2 ft. (2.5 m)
<b>Rear PTO</b>		Independent, 540 rpm
<b>Power steering</b>		Hydrostatic
<b>Transmission</b>	Type	HST (3 range)
	No. of speeds	Infinite
	Max. traveling speed	11.1 mph (17.8 km/h)
	Range shift lever position	Seat side, left
<b>Brake type</b>		Wet disc
<b>Hydraulic system</b>	Pump capacity	11.1 GPM (42.0 ℓ/min)* <sup>2)</sup>
	3-point hitch lift capacity at 24 in. (610 mm) behind lift point	1676 lbs (760 kgf)
	Position control	Standard
<b>3-point hitch (Category I)</b>		Optional
<b>ROPS/FOPS (meets OSHA1926 1001/1003, ISO3471)</b>		4 post, Standard
<b>Others</b>	Hard nose slanted hood	Standard
	Back-up alarm	Optional
	Horn	Optional
	Rear axle differential lock	Standard
	Loader-integrated reinforced frame	Standard
	Reversible seat	Standard
	Tilt steering	Standard
	Deck	Full-floating ISO-mounted flat deck
	Glow plug	Super glow

\*SAE J1995 \*\*SAE J1349

\*<sup>1)</sup> With round back loader bucket, 18" backhoe bucket and standard tires.

\*<sup>2)</sup> 6.9 GPM for loader/backhoe, 4.2 GPM for backhoe boom.

\*<sup>3)</sup> Without brake



### B26 TL500 LOADER SPECIFICATIONS

Lift capacity to max. height at pivot pin:..... 1301 lbs (590 kg)  
 Breakout force at pivot pin:.....2343 lbs (10417 N)  
 Control valve:.....One detent float position power beyond circuit  
 Net weight (approx.):..... 628 lbs (285 kg)  
 Auto-leveling mechanism:.....Mechanical spill guard  
 2 lever quick coupler:.....Standard

**Operating dimensions:**  
 A. Maximum lift height to pivot pin .....94.5 in. (2400 mm)  
 B. Clearance with bucket dumped .....70.0 in. (1778 mm)  
 C. Reach at maximum height.....22.3 in. ( 567 mm)  
 D. Maximum dump angle .....45 deg.  
 E. Reach with bucket on ground .....61.5 in. (1561 mm)  
 F. Bucket rollback angle .....46 deg.  
 G. Digging depth ..... 7.0 in. ( 177 mm)  
 H. Overall height in carrying position .....49.5 in. (1258 mm)

**Performance ratings (no load)**  
 Raise to full height: ..... 3.6 sec.  
 Lowering time: ..... 2.4 sec.  
 Attachment rollback time: ..... 3.4 sec.  
 Attachment dumping time: ..... 1.8 sec.

3rd function valves:.....Optional 7.0 GPM

\*Tires applied: 23 x 8.50 -14R4 (Front) and 12.4 -16R4 (Rear)

### B26 BT820 BACKHOE SPECIFICATIONS

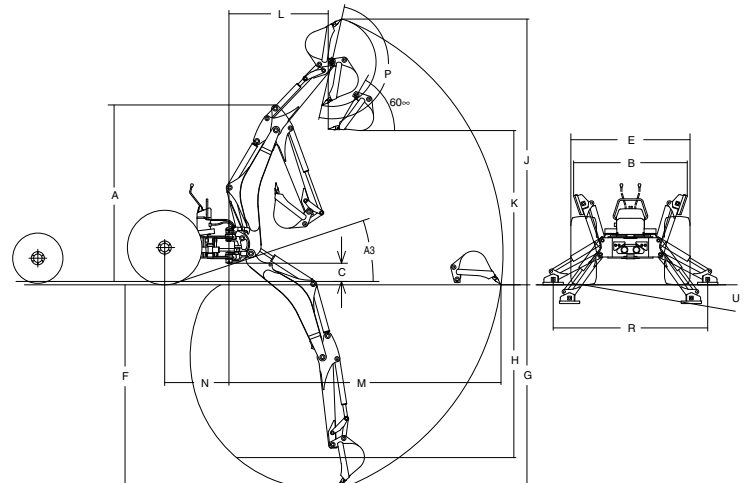
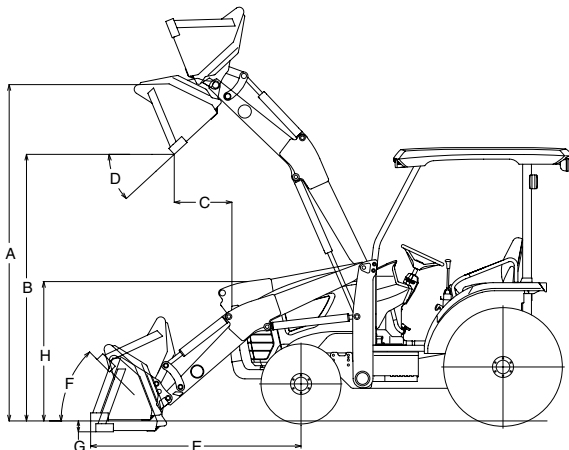
Digging force using bucket cylinder (approx.): 4210 lbs (18731 N)  
 Digging force using dipperstick cylinder (approx.): ..... 2123 lbs (9444 N)  
 Trunnion type boom swing mechanism: ..... Two cylinders  
 Net weight (approx.):..... 1025 lbs (465 kg)

**Operating dimensions:**  
 A. Transport height ..... 89.1 in. (2264 mm)  
 B. Stabilizer spread-transport ..... 53.0 in. (1347 mm)  
 C. Ground clearance ..... 11.3 in. ( 287 mm)  
 E. Overall width ..... 53.7 in. (1365 mm)  
 F. Digging depth, maximum ..... 99.8 in. (2535 mm)  
 G. Digging depth, 2ft. flat bottom ..... 98.3 in. (2498 mm)  
 H. Digging depth, 8ft. flat bottom ..... 77.0 in. (1957 mm)  
 J. Operating height, fully raised .....129.8 in. (3298 mm)  
 K. Loading height ..... 77.3 in. (1963 mm)  
 L. Loading reach ..... 52.1 in. (1324 mm)  
 M. Reach from swing pivot .....133.9 in. (3400 mm)  
 N. Swing pivot to rear axle center line ..... 33.7 in. ( 855 mm)  
 P. Bucket rotation .....181.2 deg.  
 X. Swing arc .....180 deg.  
 R. Stabilizer spread-operating ..... 83.3 in. (2116 mm)  
 A3. Angle of departure per SAE J1234 ..... 20.3 deg.  
 U. Leveling angle ..... 10.7 deg

Auxiliary hydraulic valve: ..... Optional 7.0 GPM

\*The specifications are taken with KUBOTA's B26 tractor.  
 \*Tire applied: 23 x 8.50-14 R4 (Front) and 12.4-16 R4 (Rear)

The company reserves the right to change the above specifications without notice.  
 This brochure is for descriptive purposes only. Please contact your local Kubota dealer for warranty information.  
 For your safety, KUBOTA strongly recommends the use of a Rollover Protective Structure (ROPS) and seat belt in almost all applications.  
 For complete operational information, the operator's manual should be consulted.



# L47



## L47 TRACTOR SPECIFICATIONS

	Non-road emission std.	EPA Final Tier 4
<b>Engine</b>	Gross power*	47.1 HP (35.1 kW)
	Net power**	44.7 HP (33.3 kW)
	Total displacement	148.5 cu.in. (2434 cm <sup>3</sup> )
	No. of cylinders	4
	Rated speeds	2700 rpm
	Air cleaner	Dual element
	<b>Max. PTO power</b>	
<b>Fuel tank capacity</b>		17.7 gal (67 liters)
<b>Tire size</b>	Front	27 x 10.5-15R4
	Rear	15-19.5R4
<b>Wheelbase</b>		72.5 in (1841 mm)
<b>Tread</b>	Front	45.9 in (1165 mm)
	Rear	56.1 in (1426 mm)
<b>Weight with loader, backhoe and ROPS/FOPS<sup>(*)</sup></b>		7205 lbs (3268 kg)
<b>Min. turning radius<sup>(**)</sup></b>		9.2 ft. (2.8 m)
<b>Rear PTO</b>		Independent, 540 rpm
<b>Power steering</b>		Hydrostatic
<b>Transmission</b>	Type	HST Plus (6 range)
	No. of speeds	Infinite
	Max. traveling speed	14 mph (22.5 km/h)
	Range shift lever position	Seat side, right
<b>Brake type</b>		Wet disc
<b>Hydraulic system</b>	Pump capacity	25.0 GPM (94.9 ℓ/min.) <sup>(**)</sup>
	3-point hitch lift capacity at 24 in. (610 mm) behind lift point	2756 lbs (1250 kg)
	Position control	Standard
<b>3-point hitch (Category I)</b>		Optional
<b>ROPS/FOPS (meets OSHA1926 1001/1003, ISO3471)</b>		4 post, Standard
<b>Others</b>	Hard nose slanted hood	Standard
	Back-up alarm	Standard
	Horn	Standard
	Rear axle differential lock	Standard
	Loader-integrated reinforced frame	Standard
	Reversible seat	Standard
	Tilt steering	Standard
	Deck	Walk-through deck
	Glow plug	Super glow

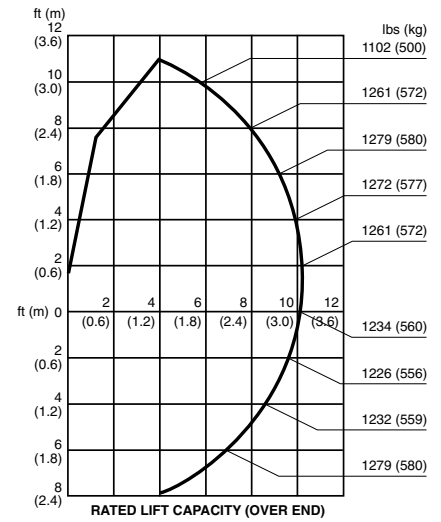
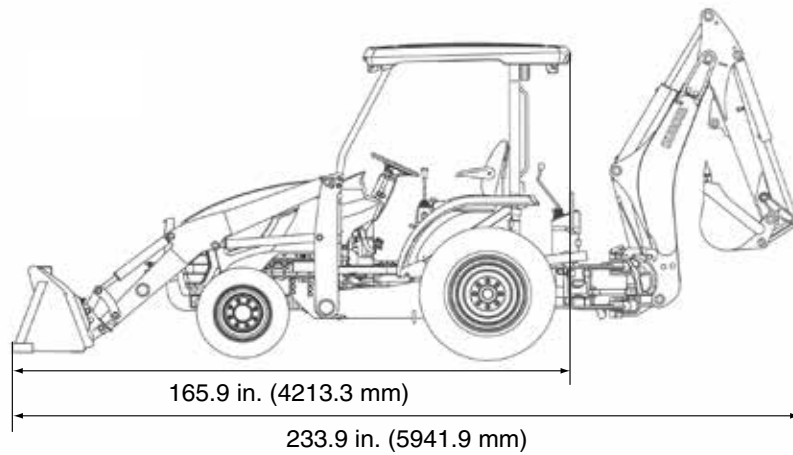
\*SAE J1995 \*\*SAE J1349

<sup>(\*)</sup>With round back loader bucket, 18" backhoe bucket and standard tires.

<sup>(\*\*)</sup>11.8 GPM for loader/backhoe, 6.6 GPM for backhoe boom swing, 6.6 GPM for power steering.

<sup>(\*\*)</sup>With brake





### L47 TL1300 LOADER SPECIFICATIONS

**Lift capacity to max. height at pivot pin:**.....2848 lbs (1292 kg)  
**Breakout force at pivot pin:**.....4531 lbs (20153 N)  
**Control valve:**.....One detent float position power beyond circuit hydraulic dual self-leveling valve  
**Net weight (approx.):**.....960 lbs (435 kg)  
**Auto-leveling mechanism:**.....Standard, Hydraulic  
**2 lever quick coupler:**.....Standard

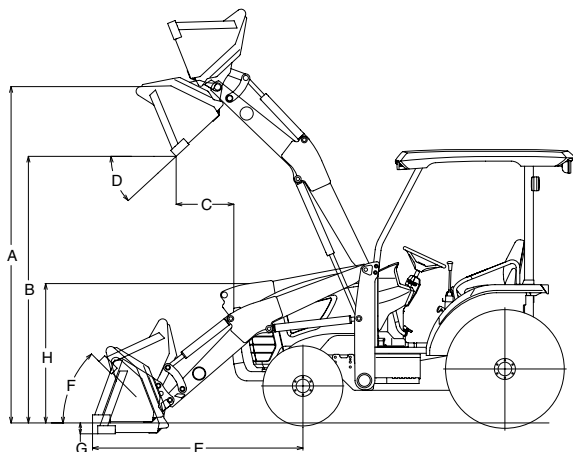
**Operating dimensions:**  
 A. Maximum lift height to pivot pin .....113.9 in (2893 mm)  
 B. Clearance with bucket dumped .....90.0 in (2287 mm)  
 C. Reach at maximum height.....16.6 in (422 mm)  
 D. Maximum dump angle .....44 deg.  
 E. Reach with bucket on ground .....68.5 in (1739 mm)  
 F. Bucket rollback angle .....48 deg.  
 G. Digging depth .....3.5 in (89 mm)  
 H. Overall height in carrying position .....55.2 in (1402 mm)

**Performance ratings (no load self-leveling, max 2900 rpm)**  

	<b>on</b>	<b>off</b>
<b>Raise to full height:</b> .....	3.6 sec.	3.2 sec
<b>Lowering time:</b> .....	5.8 sec.	2.9 sec
<b>Attachment rollback time:</b> .....	1.9 sec.	1.9 sec
<b>Attachment dumping time:</b> .....	2.2 sec.	2.2 sec

**Boom stopper (meets OSHA1926.600):**.....Standard  
**3rd function valves:**.....Optional 11.5 GPM

\*Tires applied: 27 x 10.5-15R4 (Front) and 15-19.5R4 (Rear)



### L47 BT1000B BACKHOE SPECIFICATIONS

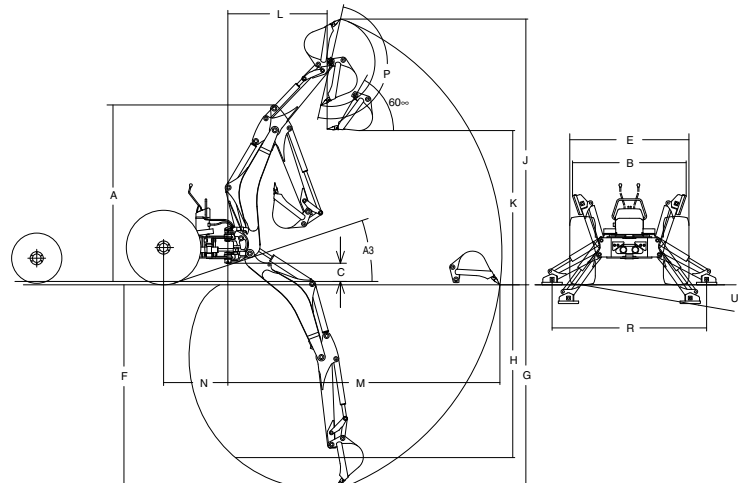
**Digging force using bucket cylinder (approx.):** 5825 lbs (25892 N)  
**Digging force using dipperstick cylinder (approx.):** 3779 lbs (16797 N)  
**Trunnion type boom swing mechanism** ..... Two cylinders  
**Net weight (approx.):** .....1660 lbs (753 kg)

**Operating dimensions:**  
 A. Transport height .....106.3 in (2700 mm)  
 B. Stabilizer spread-transport .....67.2 in (1707 mm)  
 C. Ground clearance .....12.3 in (312 mm)  
 E. Overall width .....71.2 in (1809 mm)  
 F. Digging depth, maximum .....121.0 in (3073 mm)  
 G. Digging depth, 2ft. flat bottom .....120.0 in (3048 mm)  
 H. Digging depth, 8ft. flat bottom .....102.2 in (2596 mm)  
 J. Operating height, fully raised .....157.2 in (3993 mm)  
 K. Loading height .....92.9 in (2359 mm)  
 L. Loading reach .....54.6 in (1386 mm)  
 M. Reach from swing pivot .....160.9 in (4087 mm)  
 N. Swing pivot to rear axle center line .....38.0 in (965 mm)  
 P. Bucket rotation .....180 deg.  
 X. Swing arc .....180 deg.  
 R. Stabilizer spread-operating .....89.3 in (2268 mm)  
 A3. Angle of departure per SAE J1234 .....19.2 deg.  
 U. Leveling angle .....10.0 deg.

**Auxiliary hydraulic valve:** ..... Optional 11.5 GPM

\*The specifications are taken with Kubota's L47 tractor.  
 \*Tire size: 27 x 10.5-15R4 (Front) and 15-19.5R4 (Rear)

The company reserves the right to change the above specifications without notice.  
 This brochure is for descriptive purposes only. Please contact your local Kubota dealer for warranty information.  
 For your safety, KUBOTA strongly recommends the use of a Rollover Protective Structure (ROPS) and seat belt in almost all applications.  
 For complete operational information, the operator's manual should be consulted.



# M62



## M62 TRACTOR SPECIFICATIONS

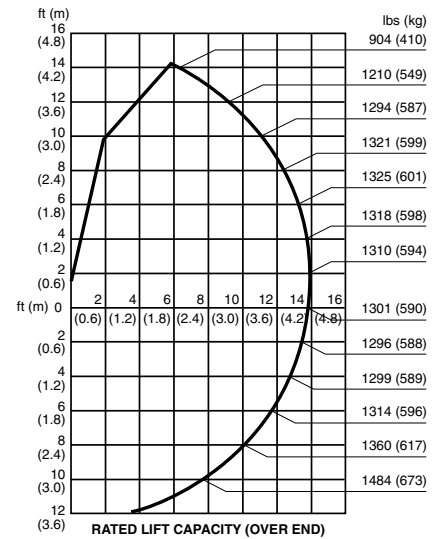
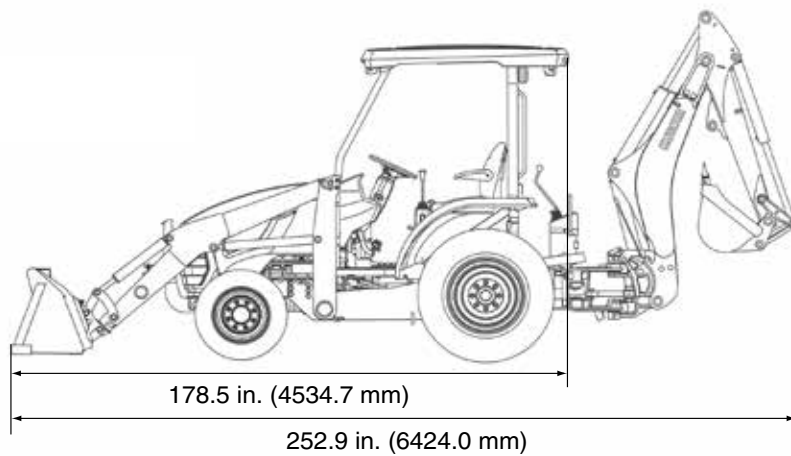
	Non-road emission std.	EPA Final Tier 4
<b>Engine</b>	Gross power*	63.0 HP (47.0 kw)
	Net power**	59.1 HP (44.1 kw)
	Total displacement	148.5 cu.in. (2434 cm <sup>3</sup> )
	No. of cylinders	4
	Rated speeds	2700 rpm
	Air cleaner	Dual element
	<b>Max. PTO power</b>	
<b>Fuel tank capacity</b>		17.7 gal (67 liters)
<b>Tire size</b>	Front	10 × 16.5–R4
	Rear	17.5L–24 R4
<b>Wheelbase</b>		80.7 in. (2050 mm)
<b>Tread</b>	Front	56.7 in (1440 mm)
	Rear	57.6 in (1462 mm)
<b>Weight with loader, backhoe and ROPS/FOPS<sup>*1)</sup></b>		8925 lbs (4048 kg) <sup>*1)</sup>
<b>Min. turning radius<sup>*3)</sup></b>		10.8 ft. (3.3 m)
<b>Rear PTO</b>		Independent, 540 rpm
<b>Power steering</b>		Hydrostatic
<b>Transmission</b>	Type	HST PLUS (6 range)
	No. of speeds	Infinite
	Max. traveling speed	15.5 mph (24.9 km/h)
	Range shift lever position	Seat side, right
<b>Brake type</b>		Wet disc
<b>Hydraulic system</b>	Pump capacity	30.9 GPM (116.9 ℓ/min) <sup>*2)</sup>
	3-point hitch lift capacity at 24 in. (610 mm) behind lift point	2756 lbs (1250 kg)
	Position control	Standard
<b>3-point hitch (Category I)</b>		Optional
<b>ROPS/FOPS (meets OSHA1926 1001/1003, ISO3471)</b>		4 post, Standard
<b>Others</b>	Hard nose slanted hood	Standard
	Back-up alarm	Standard
	Horn	Standard
	Rear axle differential lock	Standard
	Loader-integrated reinforced frame	Standard
	Reversible seat	Standard
	Tilt steering	Standard
	Deck	Walk-through deck
	Glow plug	Super glow

\*SAE J1995 \*\*SAE J1349

<sup>\*1)</sup>With round back loader bucket, 18" backhoe bucket and standard tires.

<sup>\*2)</sup>11.8 GPM for loader/backhoe, 6.6 GPM for backhoe boom swing, 6.6 GPM for power steering.

<sup>\*3)</sup>With brake



### M62 TL1800 LOADER SPECIFICATIONS

**Lift capacity to max. height at pivot pin:**..... 3960 lbs (1796 kg)  
**Breakout force at pivot pin:**..... 5992 lbs (26654 N)  
**Control valve:**..... One detent float position power beyond circuit hydraulic dual self-leveling valve  
**Net weight (approx.):**..... 1169 lbs (530 kg)  
**Auto-leveling mechanism:**..... Standard, Hydraulic  
**2 lever quick coupler:**..... Standard

**Operating dimensions:**  
 A. Maximum lift height to pivot pin ..... 126.1 in. (3203 mm)  
 B. Clearance with bucket dumped ..... 95.0 in. (2412 mm)  
 C. Reach at maximum height..... 24.1 in. ( 612 mm)  
 D. Maximum dump angle ..... 43 deg.  
 E. Reach with bucket on ground ..... 71.7 in. (1821 mm)  
 F. Bucket rollback angle ..... 45 deg.  
 G. Digging depth ..... 2.7 in. ( 69 mm)  
 H. Overall height in carrying position ..... 63.0 in. (1600 mm)

**Performance ratings (no load self-leveling, max 2900 rpm)**  

	on	off
<b>Raise to full height:</b> .....	4.2 sec.	3.9 sec
<b>Lowering time:</b> .....	4.3 sec.	3.1 sec
<b>Attachment rollback time:</b> .....	2.4 sec.	2.4 sec
<b>Attachment dumping time:</b> .....	2.4 sec.	2.4 sec

**Boom stopper (meets OSHA1926.600):**..... Standard  
**3rd function valves:**..... Optional 16.0 GPM

\*Tires applied: 10 x 16.5-15R4 (Front) and 17.5L-24R4 (Rear)

### M62 BT1400 BACKHOE SPECIFICATIONS

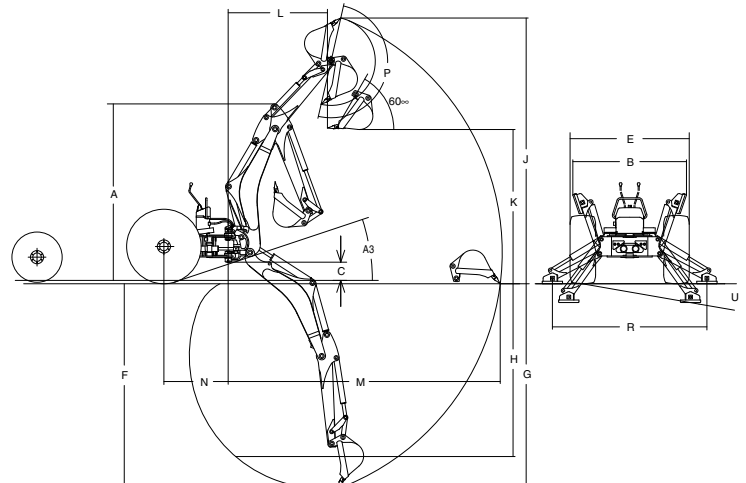
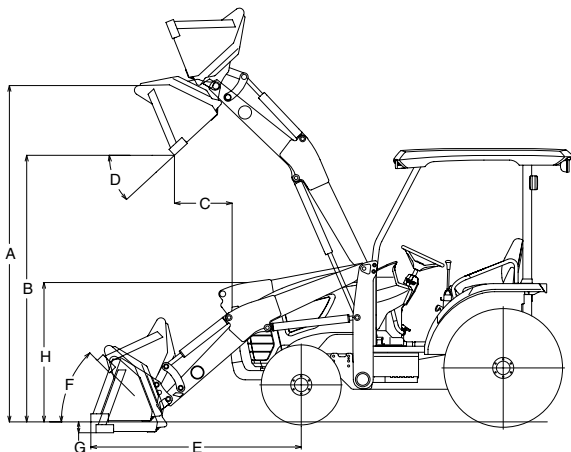
**Digging force using bucket cylinder (approx.):** 6572 lbs (29234 N)  
**Digging force using dipperstick cylinder (approx.):** 4657 lbs (20715 N)  
**Trunnion type boom swing mechanism** ..... Two cylinders  
**Net weight (approx.):** ..... 2160 lbs (980 kg)

**Operating dimensions:**  
 A. Transport height..... 136.0 in. (3445 mm)  
 B. Stabilizer spread-transport ..... 67.2 in. (1707 mm)  
 C. Ground clearance ..... 13.8 in. ( 352 mm)  
 E. Overall width..... 75.0 in. (1905 mm)  
 F. Digging depth, maximum..... 169.8 in. (4312 mm)  
 G. Digging depth, 2ft. flat bottom..... 168.4 in. (4277 mm)  
 H. Digging depth, 8ft. flat bottom..... 154.7 in. (3929 mm)  
 J. Operating height, fully raised..... 202.9 in. (5153 mm)  
 K. Loading height ..... 130.9 in. (3325 mm)  
 L. Loading reach ..... 82.0 in. (2083 mm)  
 M. Reach from swing pivot ..... 211.1 in. (5361 mm)  
 N. Swing pivot to rear axle center line..... 39.7 in. (1008 mm)  
 P. Bucket rotation..... 180 deg.  
 X. Swing arc..... 180 deg.  
 R. Stabilizer spread-operating..... 89.3 in. (2268 mm)  
 A3. Angle of departure per SAE J1234 ..... 20.4 deg.  
 U. Leveling angle ..... 10.0 deg.

**Auxiliary hydraulic valve:** ..... Optional 16.0 GPM

\*The specifications are taken with Kubota's M62 tractor.  
 \*Tire size: 10-16.5 R4 (Front) and 17.5L-24 R4 (Rear)

The company reserves the right to change the above specifications without notice. This brochure is for descriptive purposes only. Please contact your local Kubota dealer for warranty information. For your safety, KUBOTA strongly recommends the use of a Rollover Protective Structure (ROPS) and seat belt in almost all applications. For complete operational information, the operator's manual should be consulted.



# VERSATILE APPLICATIONS

Kubota TLB series provide wide range operations for professionals.



**Rotary Cutter**



**Pallet Forks**



**Box Blade**



**Power Box Rake**



**Sweeper**



**4-in-1 Bucket**



**2-lever Quick Coupler Attachments**

*NOTE: Some TLBs in this brochure are shown with optional accessories.*

©2017 Kubota Corporation



**KUBOTA CANADA LTD.**

Head Office:  
1155 Kubota Drive, Pickering, Ontario L1X 0H4  
TEL: (905) 294-7477

Visit our web site at: [www.kubota.ca](http://www.kubota.ca)



760 rue Bériault, Longueuil, Québec (Canada) J4G 1R8  
1-833-360-3330 | [info@sosequipment.ca](mailto:info@sosequipment.ca)

