

# RTV

KUBOTA 4WD DIESEL UTILITY VEHICLE

# RTV-X Series

For Earth, For Life  
Kubota



**SOSEQUIPMENT**

760 rue Bériault, Longueuil, Québec (Canada) J4G 1R8  
1-833-360-3330 | info@sossequipment.ca

**Introducing the RTV-X Series from Kubota.  
Four rugged and reliable utility vehicles with more of  
the things that you need to get the job done right.**





## Get ready for an advanced RTV experience.

Kubota RTVs have been the best-selling diesel utility vehicles in North America since 2004.\* And no wonder. Each year, they set the standard for ruggedness and reliability, proving themselves ready to work day after day under all kinds of conditions.

Well, the best just got a whole lot better. Meet the latest Kubota RTV-X Series, four rough-and-ready RTV's models that raise the bar on comfort, convenience, and performance.

It's an advanced driving experience, with a smoother ride, better driveability, more legroom, and improved ergonomics throughout.

Ready for an RTV experience you won't forget anytime soon? Visit your Kubota dealer today and experience for yourself the all new RTV-X Series.

\*Power Products Marketing North American Utility Vehicle Market Reports

KUBOTA 4WD DIESEL UTILITY VEHICLE  
**RTV-X Series**

# RTV X-Series

## The Kubota RTV X-Series. Dependable performance, excellent

When there's work to be done on the far side of nowhere, you need a vehicle that can get you there quickly, get the job done efficiently, and get you back comfortably.

### RTV-X900

Comfort and versatility make this Kubota's most popular model for all types of jobs. It comes with a powerful 21.6 HP diesel engine and your choice of Kubota Orange or Realtree AP Camo styling.

### RTV-X1120D

A step up in power, torque, performance, and style, the RTV-X1120D has everything you need to get the job done, including a rugged and dependable 24.8 HP diesel engine and handsome blue-tinted halogen headlights.



# comfort, all the time.

# eries

## RTV-X1100C

The first RTV to offer a factory-installed unibody A/C cab, the RTV-X1100C is still the industry leader in work comfort. The fully enclosed cab features air conditioning, defroster, and heating systems to keep you comfortable in all types of weather for all types of jobs.

## RTV-X1140

When you have cargo to haul, flip up the rear seat and fold down the cargo bed. The RTV-X1140 converts from a 4-passenger vehicle to a 2-passenger RTV with an extra large cargo bed and an industry-leading cargo capacity. A standard hydraulic bed-lift makes short work of dumping tasks.

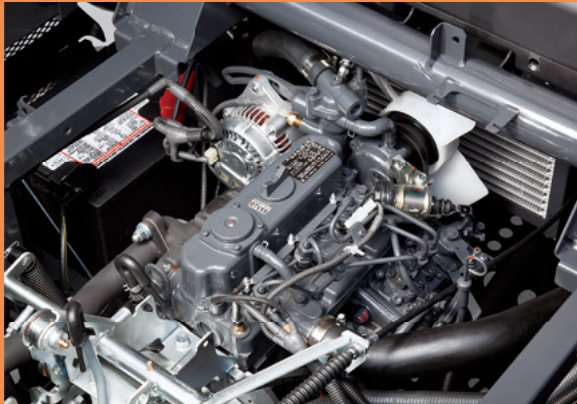


# TOUGH

**Kubota diesel engines—dependable power, when and where you need**

## **Power when and where you need it**

Even when the path disappears, you can rely on the RTV-X Series' powerful diesel engines to keep you moving forward. Kubota-built and trail-proven, these 3-cylinder liquid-cooled diesel engines have a well-earned reputation for dependable performance even in the harshest terrains. The RTV-X900 comes with a robust 21.6 HP engine, while the RTV-X1120D, RTV-X1100C and RTV-X1140 provide an extra boost of power from 24.8 HP engines.



it.



# RTV-X900

## VHT-X (Variable Hydraulic Transmission)

Kubota has more experience in variable hydraulic transmissions than any other Utility Vehicle manufacture. The engine torque is maximized through the advanced variable displacement HST motor, resulting in a wider torque band. The Large oil cooler enhances the VHT-X's performance and durability through cooler operating temperatures.



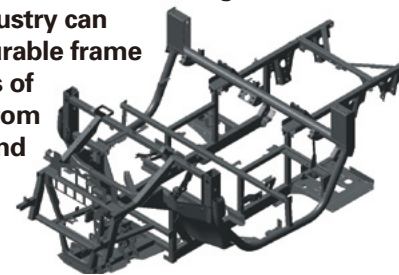
## Two-speed In-line Shift

You'll shift less often and maintain better control, thanks to new transmission gearing with just two forward speeds (high and low), plus neutral, and reverse.



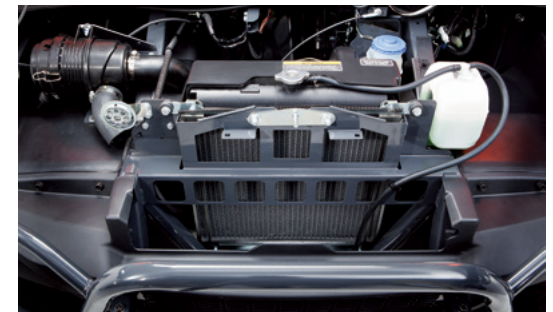
## Strong High-rigidity Frame

The high-rigidity steel frame isolates the occupants from noise, vibrations, and harshness. With structural strength that few in the industry can match, this durable frame can take years of punishment from heavy loads and rough terrain.



## 20% Larger, Clog-resistant Radiator

Open the hood, and you'll find the radiator and air-intake located high and up front, where the air is cleaner and cooler. This improves both radiator performance and simplifies maintenance. Kubota's wide fin pitch design minimizes clogging, further improving radiator performance.



# EXCEPTION



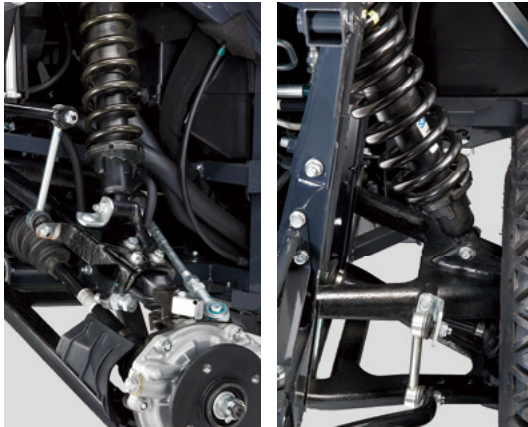


# Get in and buckle up. You're about to experience an advanced level of driving performance.

## Front & Rear Independent Suspension



Regardless of the terrain or load, independent suspension on all four wheels ensures a truly exceptional ride. Kubota's Extra Duty IRS (Independent Rear Suspension) technology also sets a new standard for durability.



## Height-adjustable Front and Rear Suspension

Whether you've got a heavy load or no load at all, adjustment of the front and rear suspension height will ensure the proper vehicle height for a smooth ride and optimum driveability for hard to get to work environments.

## High Ground Clearance

The X-series raises the bar on ground clearance—to a full 10.4" with 8" of suspension travel—letting you glide over the bumps rather than through them.

## Limited-Slip Front Differential

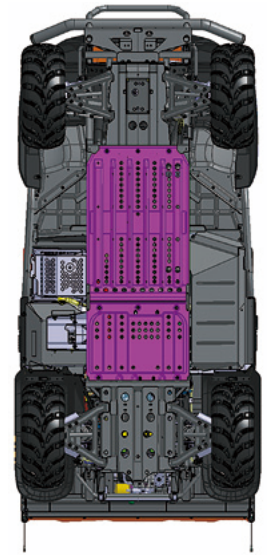
True 4-wheel drive with a limited-slip front differential and a locking rear differential help reduce wheelspin to a minimum, giving you greater control and a smoother ride on rough or muddy terrain.

## Multi Wet Disc Brakes / Dynamic Braking

The RTV-X series uses Multi-disc wet brakes which provide longer brake life. You'll also feel more secure, especially when traveling down long inclines, knowing that dynamic braking is providing additional braking power and greater driving control.

## CV Joint Protectors and Skid Plates

Obstacles on the path? CV joint protectors and heavy-duty skid plates will protect the most critical parts of the engine and transmission.



The image shows the interior of a vehicle, likely a truck or heavy-duty car, from the driver's perspective. The steering wheel is black with a central logo. The dashboard is black and features a digital display screen in the center, surrounded by various control buttons. To the left of the steering wheel, there are several warning labels and a gear shift lever. The seats are light-colored with a ribbed texture. The overall design is functional and rugged.

**An advanced experience in driving comfort.**

**The experience begins the moment you step into the driver's compartment and settle into the seat. Clearly, the X-Series was designed for driving comfort and convenience under tough working conditions. More room for your legs, controls that fall naturally under your hands, plenty of utility storage space... from head to toe and side to side, it's an advanced level of easy, practical driveability that must be experienced to appreciate.**



## 60:40 Split-bench Seats

The split-bench style seat is ergonomically designed to provide hours of working comfort. The driver's side is adjustable fore and aft.\*

*\*Driver's side seat adjuster is not available on RTV-X900 General Purpose models.*



## Power Steering

Responsive hydrostatic power steering gives you the control you need to tame any terrain. The steering wheel is tilt-adjustable, allowing you to set the optimum angle for your driving style.\*

*\*Tilt-feature is not available on RTV-X900 General Purpose models.*



## Digital Meter Cluster

Bright, with large, easy-to-read indicators, this digital meter cluster keeps you informed of all critical driving conditions, including speed, hours, and miles traveled. An Overheat Alarm (light and audio) helps prevent engine damage.



## Easily accessible Parking Brake

The parking brake is conveniently located on the dashboard for easier access as well as more legroom.



## Glove Box\*

A large glove box on the passenger side provides fast access to critical tools and personal effects.

*\*Glove box is not available on RTV-X1100C models.  
\*Glove box cover is optional on RTV-X900 General Purpose models.*



## Under-seat Storage Compartments

Large compartments under the split-bench seats provide plenty of convenient storage space for tools, tie-downs, and personal items.

# CAPABILITIES

The capacity for hauling, the strength for towing.

## Carry up to 15.2 cubic feet of cargo

It's not enough to get you there and back. You need to get your stuff there and back, as well. This heavy-duty steel cargo box can do that for you, carrying up to a half-ton (1,102 lbs.) of tools, firewood, gear, supplies...whatever you need to haul from here to there and back again. Cargo tie-down hooks help keep your gear secure.



## Dumping Cargo Box\*

With the flick of a single lever, the hydraulic-lift cargo box rises and your cargo slides out. Cargo that could take significant physical strength and time to unload can now be dumped with little effort in mere seconds.

*\*Manual dumping on RTV-X900 General Purpose model.*



*\*Photo with factory installed Spray-on Bedliner option.*



## Spray-on Bed Liner (factory option)

An optional factory-installed bed liner helps protect the cargo bed from dirt and damage. Four tie-down hooks in the corners help keep loads in place.

## Towing Capacity

Standard two-inch hitch receivers are located at the front and back. The back receiver lets you tow up to 1,300 lbs. of gear.



**Get ready for an advanced level of comfort and performance. Get ready**

Here's the one you've been waiting for. The one with more of everything.

More power, more torque, more performance, more style. We call it the RTV-X1120D. You'll call it amazing.

## RTV X1120D

### More powerful engine and transmission

For jobs that require extra acceleration and climbing power, the RTV-X1120-series are the obvious choice. They pack both Kubota's proven 24.8 HP diesel engine and the reliable VHT-X transmission, which provide a top speed of 29 mph as well as plenty of hill-climbing power.



dy for the RTV-X1120 series.

# RTV-X1120

## Three-point Seatbelts

With the RTV-X1120D's increased speed comes increased dynamic loads; so you and your passenger are strapped in with three-point seatbelts.

## Half Door

Half doors on the driver and passenger sides help keep out the dirt, brush, and other external objects, while letting you enter and exit with ease.



### ● RTV-X1120 series Model Line-up

Spec	General purpose	Worksite		Deluxe	
Color	Orange	Orange	Camo	Orange	Camo
Tire	ATV, HDWS	ATV, HDWS	ATV	ATV, HDWS	ATV
Wheel	Steel			Alloy	
Bed liner	Not available	Optional		Standard	
Glove box cover	Optional	Standard			
Tilt steering	Not available	Standard			
Front guard	Basic guard	Standard guard		Deluxe guard	
Hydraulic bed lift	Optional	Standard			
Graphic	Basic graphic			Deluxe graphic	

## Alloy Wheels

You'll travel in style with these good-looking, machine-polished alloy wheels.\* Clear Coating helps keep them bright and shiny.

*\*Realtree AP Camo model features black alloy wheels with polished outer surfaces.*



# ALL-WEATHER ER CO.

**So comfortable, so fun to drive, you'll find excuses to take it for a spin.**



## Premium Grand Cab

Whether it's hot and humid, cold and windy, or raining cats and dogs, you'll stay dry and comfortable inside the RTV-X1100C's quiet and luxurious air-conditioned and heated cab. Built around a unibody frame that is virtually airtight, soundproof, and rattle-free, the cab incorporates highly efficient air-conditioning, heating, and defogging functions, as well as antennas and speakers for an optional radio. And when the weather is nice? Just roll down the fully opening windows. This truly is the best all-weather, all-comfort, all-the-time working environment you'll ever experience on the trail.





# COMFORT CAB

RTV-X1100C

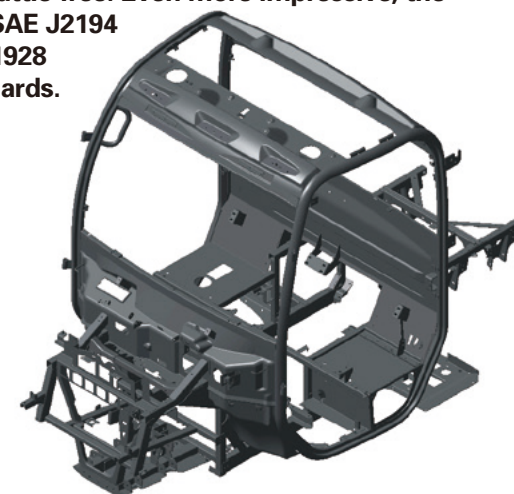
## Air Conditioner and Heater

Hot or cold, rain or shine, the temperature inside can always be just right for you. The air conditioner, defroster, and heater system are powerful, efficient, and standard equipment on the RTV-X1100C.



## Unibody Cab and Chassis Frame

You'll enjoy a smoother, quieter, more comfortable ride, thanks to the RTV-X1100C's integrated unibody cab and chassis frame. They form a rigid yet lightweight unit that is rugged, airtight, low-noise, and rattle-free. Even more impressive, the cab meets SAE J2194 and OSHA 1928 ROPS standards.



# KONNECT

**Versatility & Performance. Front PTO attachment options for RTV-X1100.**



# RTV-X1100C

## Power Module & PTO K-Connect

K-Connect is fast & reliable connection system with high quality LED light, 4 point hitch and optional grill guard, can easily be removed for seasonal storage. The PTO is gear box driven for durability and precision, and fittings are accessible greaseable for preventative maintenance.



LED lights



4 point hitch



Optional front grill adaptor kit



## Control handle & PTO switch.

Simple intuitive control for all implements.



## Snowblower 66'

Professional grade snowblower has 66' wide two stage for commercial use. Equipped with a four blade fan for superior performance, this snowblower throws snow farther than the competitors. The hydraulic chute rotation and deflection is standard.



## Sweeper 66'

66' wide PTO driven sweeper turns at more than 240 rpm. Standard polyethelene brushes loaded with 34 (24' diameter) wafer brushes that can easily be replaced within 20 minutes.



## V-Plow 78'

78' wide plow designed for heavy duty application, to accomodate the width of the RTV-X1100C when fully angled at 30 degrees. A double acting cylinder on each wing for true back dragging action.



## Straight Blade 78'

78' wide blade you can rely on. New curvature offers better role of the snow. Operators can use it in float or down pressur better performance.



# FOUR-SEATER

**When the going gets tough, get aboard a Kubota RTV-X1140.**

And now these best-selling, standard-setting utility workhorses just got a whole lot better. Introducing the Kubota RTV-X1140 Four-Seater, improved throughout to give you the best possible performance and comfort across a wide range of jobs.



# ATER

## RTV-X1140

**From industry-leading cargo capacity to comfortable seating for four adults in three simple steps that can be performed easily by just one person.**

**[ K-vertible™ ]** *Kubota's unique system to convert vehicle from 1 row to 2 row seating less than a minute.*



### 1 Reposition the sides of the bed

Swing the front side panels of the cargo bed towards the back of the bed and fold down the front panel.



### 2 Reposition the cargo bed

Next, lift the front of the cargo bed and secure it.



### 3 Reposition the protective screen and bench seat

Next, move back and secure the protective screen with back rest. Finally, lower and secure the bench seat. Reverse these three steps to restore the RTV-X1140's full-length bed.

# MORE VERSA

**A variety of standard and optional features to let you work productively**

## Newly Designed ROPS

The poles at the rear have been eliminated for a cleaner look and easier cargo loading from the sides in the 2-seat configuration. A 5th pole has been added in the rear middle of the frame to ensure the same high level of ROPS performance that meets the SAE J2194 and OSHA 1928 ROPS standards.



*Pole-free access to the entire cargo bed for easier loading from the sides.*

## More Comfortable Rear Seat

More legroom for the backseat passengers means more comfort and less fatigue, especially on long journeys. Your crew will arrive fresh and ready for action.



## Standard Hydraulic Dump Bed

Dump sand, gravel, turf, or just about anything you can think of, from the RTV-X1140's whopping, 19.1 cu. ft./9.9 cu. ft. (two-seat and four-seat configurations, respectively) capacity cargo bed. An easy-to-operate lever activates this hydraulic bed-lift system in either two or four-seat configuration.



*Two-person seating configuration*



*Four-person seating configuration*

# UTILITIES

and travel comfortably.

RTV-X1140



# OPTIONAL CAB AN

A variety of optional cab and accessories further improve comfort, safe



■ **Metal FOPS Canopy**  
(RTV-X900 & RTV-X1120D only)  
VC5000



■ **Plastic Canopy**  
(RTV-X900 & RTV-X1120D only – Shown with VC5056  
LED Strobe Light)  
VC5011



■ **Laminated Windshield**  
(RTV-X900 & RTV-X1120D only)  
VC5020



■ **Tempered Glass Windshield**  
(RTV-X900 only)  
VC5025



■ **Poly Windshied**  
(RTV-X900 & RTV-X1120D only)  
VC5023



■ **Metal Doors with sliding windows**  
(RTV-X900 & RTV-X1120D only)  
VC5090 – Black  
VC5091 – Orange



■ **Rear Panel**  
(RTV-X900 & RTV-X1120D only – Shown with  
optional rear worklights and flashers)  
VC5040



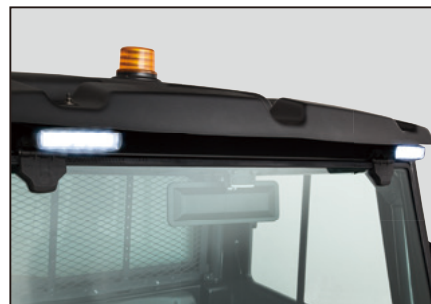
■ **RTV Mirror Kit**  
(RTV-X900 & RTV-X1120D only)  
VC5076



■ **Dome Light**  
(RTV-X900 & RTV-X1120D only)  
VC5053



■ **Wiper** (RTV-X900 & RTV-X1120D only)  
VC5030



■ **LED Front Worklights (x2)**  
(RTV-X900 & RTV-X1120D only)  
VC5050



■ **Rear Work Light**  
(RTV-X900 & RTV-X1120D only)  
VC5051



# ty and convenience. ACCESSORIES



■ **Strobe Light**  
VC5056 – RTV-X900 & RTV-X1120D  
VC5058 – RTV-X1100C



■ **RTV Mirror Kit** *(RTV-X1100C only)*  
V5059 – Cab



■ **72" General Duty Straight Blade with Quick Hitch**  
V5008



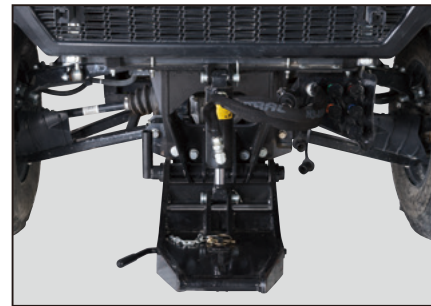
■ **Commercial 72" Hydraulic Straight Blade**  
V5290



■ **Commercial 72" V-Blade**  
V5291



■ **60" Hydraulic Rotary Broom**  
V5260



■ **Front Hydraulic Quick Hitch**  
V5289



■ **Hydraulic Control & Valve System**  
V5232 – 2-function Control & Valve  
V5233 – 3-function Hydraulic Valve Upgrade Kit *(not shown)*



■ **Cargo Box Spreader**  
*(RTV-X900 & RTV-X1100C only)*  
V5005



■ **Winch Kit (4,000lbs capacity)**  
V5244



■ **Trailer Hitch Ball Mount Kit**  
V5200



■ **Turn Signal/Hazard Light Kit**  
V5237

# SPECIFICATIONS

Model		RTV-X900 General Purpose	RTV-X900 Worksite		RTV-X1120 General Purpose	RTV-X1120 Worksite		
Body color		Kubota Orange	Kubota Orange	Realtree® AP Camo	Kubota Orange	Kubota Orange		
Engine	Make	KUBOTA D902-E4-UV						
	Type	3-cylinders, 4-cycle, diesel, OHV						
	Displacement	cu.in (cc)	54.8 (898)					
	Horsepower	HP (kW)/rpm	21.6 (16.1)@3200					
	Cooling system		Liquid					
Battery		560 CCA						
Transmission								
Gear selection								
Max. traveling speed		mph (km/h)	0-25 (0-40)			0-29		
4WD system	Front differential							
	Rear differential							
Steering								
Brakes	Front / Rear							
	Parking brake							
Suspension	Front suspension	Independent,						
	Front suspension travel	in. (mm)						
	Rear suspension							
Ground clearance	Rear suspension travel	in. (mm)						
	Front	in. (mm)					10.5 (266)	
Rear	in. (mm)					10.4 (263)		
Headlights		Two 37.5 Watt halogen			Two 37.5 Watt blue-tint			
Occupant Protective System (OPS)	Tubular overhead structure	in. (mm)				2.0 (50.8) steel tube		
	Seat belts	2-point						
	Certification	SAE J2194 and OSHA 1928 ROPS			SAE J2194 and OSHA			
Dimensions	Length	in. (mm)	120.3 (3055)	122.5 (3110)		120.3 (3055)		
	Width	in. (mm)					63.2 (1605)	
	Height, overall	in. (mm)					79.5 (2020)	
	Front tread centers	in. (mm)					48.8 (1240)	
	Rear tread centers	in. (mm)					48.8 (1240)	
	Wheelbase	in. (mm)					80.5 (2045)	
Turning radius	ft. (m)					13.1 (4.0)		
Weight	lbs. (kg)	1907 (865)	1973 (895)		1995 (905)			
Towing capacity	lbs. (kg)							
Payload capacity	lbs. (kg)	1664 (755)	1598 (725)		1510			
Cargo bed	Material							
	Width × Length × Depth	in. (mm)					57.7 (1465) × 40.5 (1030) ×	
	Volume	cu. ft. (m³)					15.2 (0.43)	
	Bed height (unloaded)	in. (mm)					34.9 (887)	
	Cargo bed load	lbs. (kg)					1102 (500)	
	Dumping system		Manual	Hydro power lift		Manual		
Fuel tank capacity	U.S. gals (ℓ)							
Sound rating at operator's ear at max rpm	dB. (A)	85						
Tires	Front and rear	ATV						
		HDWS	25 × 10-12, 6-ply					
		TURF	25×10-12, 4-ply					—
Front guard design		Simple, center only	Center and bumper		Simple, center only	Center and bumper		
Alloy wheel (not available with Turf tire)		Opt.						
Hydraulic bed lift		Opt.	Std.		Opt.			
Spray-on bed liner		—	Opt.		—	Opt.		

	RTV-X1120 Deluxe		RTV-X1100C		RTV-X1140 Worksite	
Realtree® AP Camo	Kubota Orange	Realtree® AP Camo	Kubota Orange	Realtree® AP Camo	Kubota Orange	Realtree® AP Camo
KUBOTA D1105-E4-UV						
3-cylinders, 4-cycle, diesel, OHV						
68.5 (1123)						
24.8 (18.5)@3000						
Liquid						
670 CCA						
Variable hydro transmission (VHT-X)						
Hi-Lo range forward, neutral, reverse						
(0-46.4)			0-25 (0-40)			
Limited-slip differential						
Foot operated differential lock						
Hydrostatic power						
Wet-disc brakes						
Rear wheel, hand operated						
Dual A-arms with adjustable spring preload						
8 (205)						
Independent with coil over shock						
8 (205)						
					11.2 (285)	
					9.4 (240)	
halogen, optical axis adjustment			Two 37.5 Watt halogen			
			2.4 x 2.4 (61 x 61) deformed steel tube		2.0 (50.8) steel tube	
point			2-point			
1928 ROPS and ANSI B71.9			SAE J2194 and OSHA 1928 ROPS			
122.5 (3110)			142.1 (3610)			
			65.4 (1660)		63.2 (1605)	
			82.3 (2090)		79.7 (2025)	
			50.4 (1280)			
			50.4 (1280)			
			98.2 (2495)			
			17.1 (5.2)			
2061 (935)			2370 (1075)			
1300 (590)						
(685)			1629 (739)			
Steel						
11.2 (285)					Long: 57.7 (1465) x 51.1 (1300) x 11.2 (285) / Short: 57.7 (1465) x 26.0 (660) x 11.2 (285)	
					Long: 19.1 (0.54) / Short: 9.9 (0.28)	
					35.4 (900)	
					Long: 1102 (500) / Short: 661 (300)	
Hydro power lift						
7.9 (30)						
84			83		84	
25 x 10-12, 6-ply						
—		25 x 10-12, 6-ply		—		
			25 x 10-12, 4-ply		—	
Center, bumper and lens					Center and bumper (Orange model) / Center, bumper and lens (Camo model)	
Std.			Opt.		Opt. or Std. (Orange model) / Opt. (Camo model)	
Std.					Opt.	
Std.			Opt.			

*\*\*Realtree® is a registered trademark of Jordan Outdoor Enterprises, Ltd. The company reserves the right to change the above specifications without notice. The values in "Ground clearance" and "Weight" are those of the machine equipped with the tires in the table above. For off-highway use only.*

Kubota Canada Ltd. reserves the right to change the stated specifications without notice. This brochure is for descriptive purposes only and reasonable efforts were used to set forth the contained information; some items shown may be optional and some products shown may not be available at all dealerships. Kubota disclaims all representations and warranties, express or implied, or any liability from the use of this brochure. For complete warranty, safety and product information, consult your local Kubota dealer and the operator's manual. Power (HP/KW) and other specifications are based on various standards or recommended practices. For your safety, Kubota strongly recommends the use of a Rollover Protective Structure (ROPS) and seat belt in almost all applications. This brochure is intended for Canada only. For information regarding Kubota products or services outside these areas, see Kubota Corporation's global web site. Kubota does not provide parts, warranty or service for any Product which is re-sold or retailed in any country other than the country for which the Product(s) were designed or manufactured.

## KUBOTA CANADA LTD.

Head Office:  
1155 Kubota Drive, Pickering, Ontario, L1X 0H4  
TEL: 1 800-405-6916

Visit our web site at: [www.kubota.ca](http://www.kubota.ca)

## SOSEQUIPMENT

760 rue Bériault, Longueuil, Québec (Canada) J4G 1R8  
1-833-360-3330 | [info@sosequipment.ca](mailto:info@sosequipment.ca)



©2021 Kubota Corporation

