

# M060

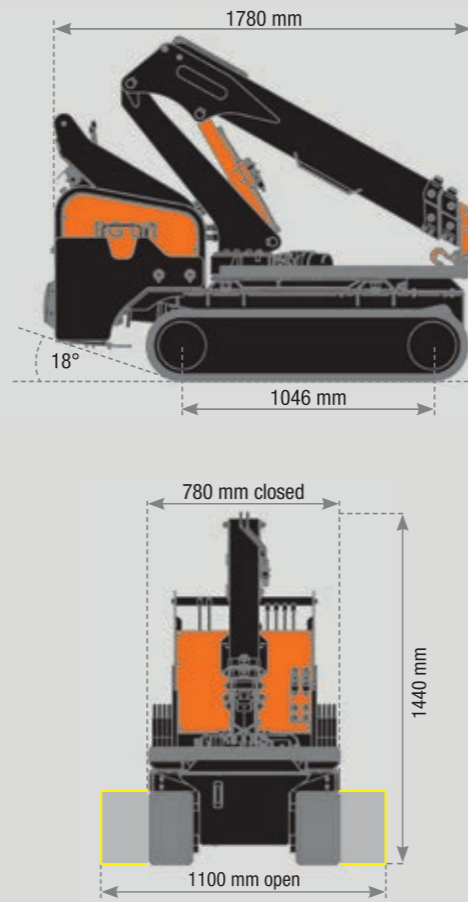
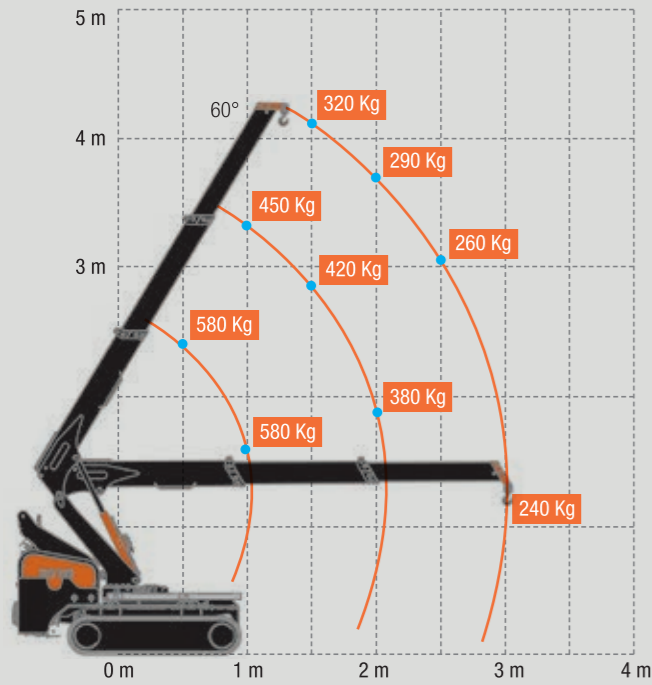
**SOSEQUIMENT**

760 rue Bériault, Longueuil, Québec (Canada) J4G 1R8  
1-833-360-3330 | info@sosequiment.ca

M060

MIRAGE

M 060



Dimensions (H x W x L): 1,44 x 0,78 x 1,78 m

Weight (excluding accessories): 720 kg + 200 kg ballast

Lifting capacity: 580 kg

Maximum working radius: 3,01 m

Maximum lifting height with hydraulic Jib (from the ground): 4,25 m

Maximum lifting height (underground-winch): -34 m

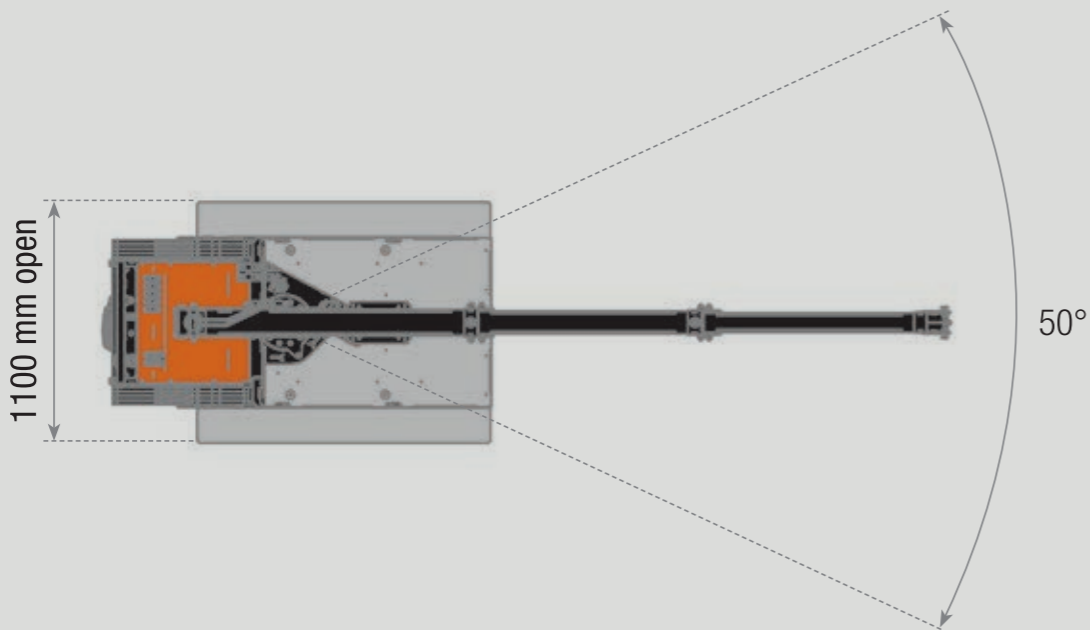


## M060. Mini Crawler Crane Pick And Carry.

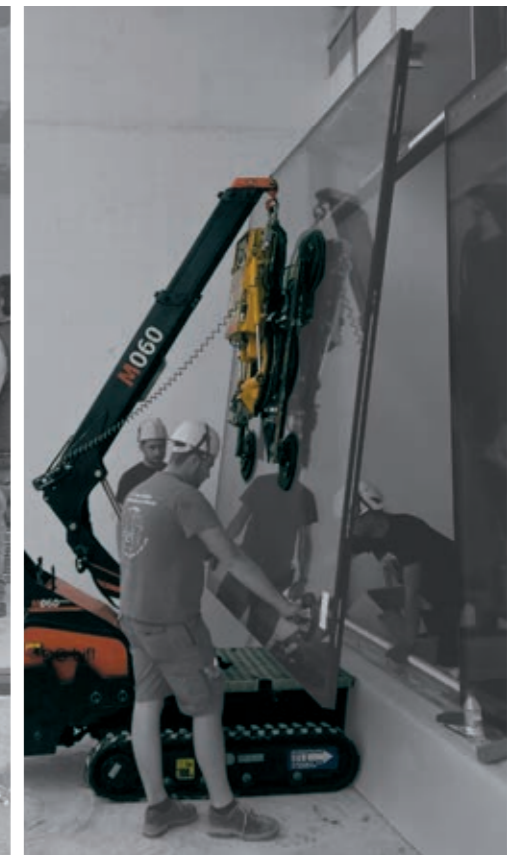
**M060** a baby design and engineering masterpiece. The "Pick and Carry" mini crane provided with (50°) rotation. Extremely compact and ergonomic. Designed by BG LIFT Team to confer agility, robustness and to be used in narrow spaces and access. Perfect for indoor and outdoor use.

The restrained weight allows the crane to operate on the base floor of upper levels, totally in compliance with the regulations.

**Power:**  
- 320 KG Load capacity at 4,25mt height, with boom in vertical position.



Technical data can be modified without prior notice



Technical data can be modified without prior notice



## Technical Specifications

	Max capacity:
	Max outreach:
	Max outreach with Jib (optional):
	Max hook height:
	Max hook height with Jib (optional):
	Slewing angle   Rotation speed:
	Winch (optional): First layer pull   Rope length   Speed in direct pull
	Radio remote control:
	Stability control:
	Stability system:
	Weights: Standard crane   Jib   Electric motor Winch   Mobile ballast (Pick and Carry)
	Transmission: Scope   Pressure   Speed Max slope degree   Max pressure on the ground
	Thermal Engine: Max power   Max torque   Tank capacity
	Electric Engine: Power supply   Battery capacity   Power

## M060

580 Kg / 1,3 m

3,01 m

-

4,25 m

-

- | 25° + 25°

500 Kg | 36 m | 42 m / min

Scanreco Can-Bus + Display

Electrohydraulic

-

720 + 200 Kg ballast | - | 140 Kg  
28 Kg | -

Moto-reducer  
30 l / min | 150 bar | 0-2 Km/h  
20° | 0,25 Kg/cm<sup>2</sup>

8,7 Kw - 11,7 Hp | 26,5 Nm | 6 l

230 V | - | 2,2 Kw + inverter

## M060 LI-ION

580 Kg / 1,3 m

3,01 m

-

4,25 m

-

- | 25° + 25°

500 Kg | 36 m | 42 m / min

NBB Can-Bus + Color Display

Electronic

-

720 + 200 Kg ballast | - | 40 Kg  
28 Kg | -

Moto-reducer  
30 l / min | 150 bar | 0-2 Km/h  
20° | 0,25 Kg/cm<sup>2</sup>

-

24 V | 210 Ah | 5,5 Kw - 8 Hp

## M250

2500 Kg / 1,5 m

8,43 m

12,85 m

10,40 m

16 m

Continuous | 1,5 rpm

900 Kg | 68 m | 47 m / min

Scanreco Can-Bus + Display

Electronic

Max 4155x4300

2420 Kg | 210 Kg | 40 Kg  
65 Kg | -

Moto-reducer  
50 l / min | 170 bar | 0-2 Km/h  
25° | 0,47 Kg/cm<sup>2</sup>

18,5 Kw - 24,8Hp | 71,5 Nm | 13 l

230 V | - | 2,2 Kw + inverter

## M250 LI-ION

2500 Kg / 1,5 m

8,43 m

12,85 m

10,40 m

16 m

Continuous | 1,5 rpm

900 Kg | 68 m | 47 m / min

Scanreco Can-Bus + Display

Electronic

Max 4155x4300

2420 Kg | 210 Kg | 40 Kg  
65 Kg | -

Moto-reducer  
50 l / min | 170 bar | 0-2 Km/h  
25° | 0,47 Kg/cm<sup>2</sup>

-

48 V | 200 Ah | 8,5 Kw - 12 Hp

## M400

4000 Kg / 2 m

12,10 m

17,00 m

14,80 m

21,10 m

Continuous | 1 rpm

1000 Kg | 60 m | 47 m/min

Scanreco Can-Bus + Display

Electronic

Max 4490x4570

4300 Kg | 230 Kg | 40 Kg  
65 Kg | 300 Kg

Moto-reducer  
55 l / min | 200 bar | 0-2 Km/h  
25° | 0,41 Kg/cm<sup>2</sup>

18,9 Kw - 25,7 Hp | 64 Nm | 25 l

400 V | - | 5,5 Kw

48 V | 200 Ah | 8,5 Kw - 12 Hp



## Standard Equipment

M060

M060 LI-10N

M250

M250 LI-10N

M400

Radio remote control with LCD display for crawler, chassis and crane function	●		●	●	●
Radio remote control with color display for each function of machine		●			
Continuous rotation			●	●	●
50° crane rotation	●				
180° crane rotation		●			
Predisposition for winch installation	●	●	●	●	●
Predisposition for Jib installation			●	●	●
Outriggers continuous variations control system			●	●	
Outriggers continuous variations control system					●
Automatic stabilization			●	●	●
Two speed crawler translation	●	●	●	●	●
Extendable crawler	●	●	●	●	
N° 4 Lifting connections			●	●	●
Electronic limiting device		●	●	●	●
Electrohydraulic limiting device	●				
Auto diagnostic		●	●	●	●
According to EN12999	●	●			
According to EN13000			●	●	●
BG Connect		●	●	●	●
Smart Stability Control (SSC)					●

Technical data can be modified without prior notice



## Optional Equipment

M060

M060 LI-10N

M250

M250 LI-10N

M400

Scanreco radio remote control crane function	●				
500 Kg hydraulic winch	●	●			
900 Kg hydraulic winch			●	●	
1000 Kg hydraulic winch					●
Lowered hook connections	●	●	●	●	●
Third line pull pulleys			●	●	
Fourth, third line pull pulleys					●
Plates for outriggers			●	●	●
Working LED light on the main boom	●	●	●	●	●
Working LED light on the Jib			●	●	●
N° 4 Working LED lights on the crawler					●
Hydraulic Jib with opening up to 195°			●	●	●
Mono phase electric engine 2,2 kW/230V with inverter	●		●	●	
Three phases electric engine 5,5 kW/400 V					●
Automatic endothermic engine rpm increment			●		●
No marking rubber pads	●	●	●	●	●
Two man baskets capacity CE			●	●	●
LED lights for outriggers					●
Green oil	●	●	●	●	●
Automatic crane closing			●	●	●
Electric engine with lithium battery					●

Technical data can be modified without prior notice



760 rue Bériault, Longueuil, Québec (Canada) J4G 1R8  
1-833-360-3330 | info@sosequiment.ca