

M400

SOSEQUIMENT

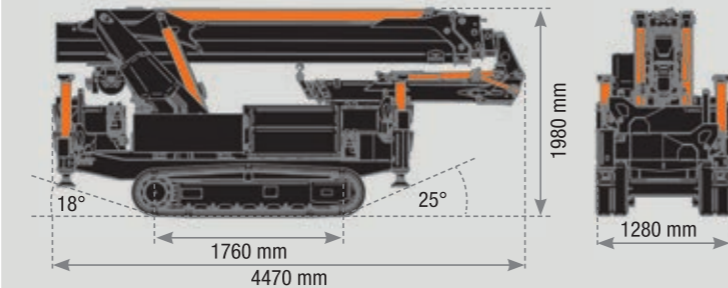
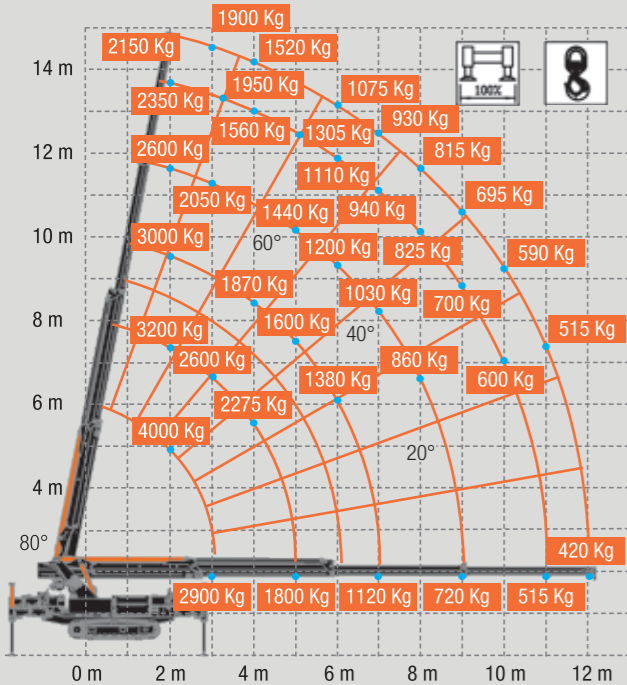
760 rue Bériault, Longueuil, Québec (Canada) J4G 1R8
1-833-360-3330 | info@sosequiment.ca

M400

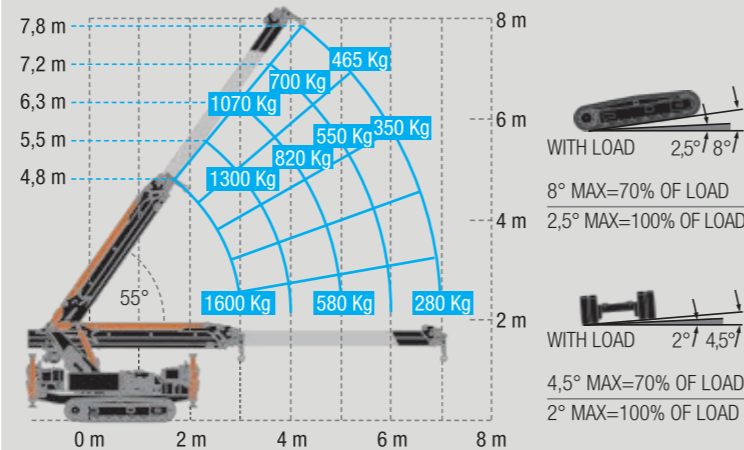
M RANGE

LITHIUM BATTERY PACK AVAILABLE

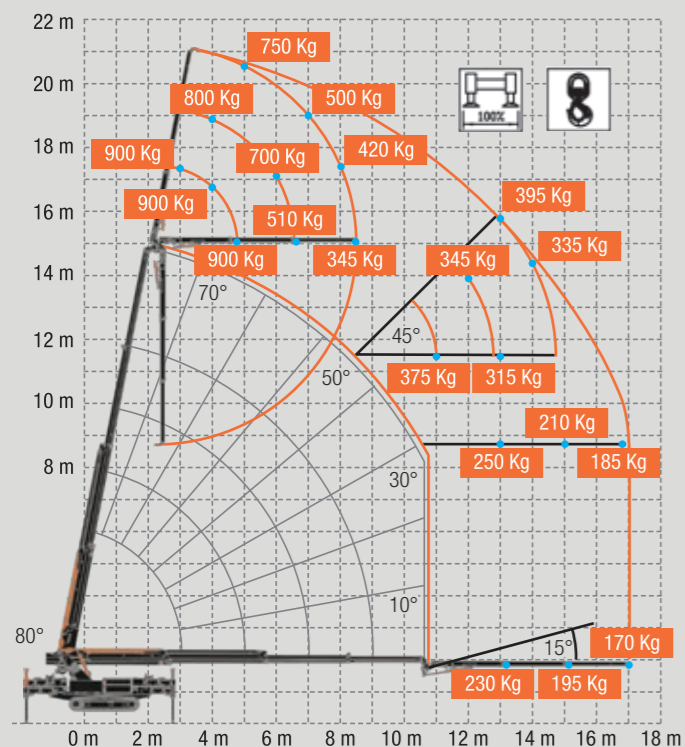
M 400



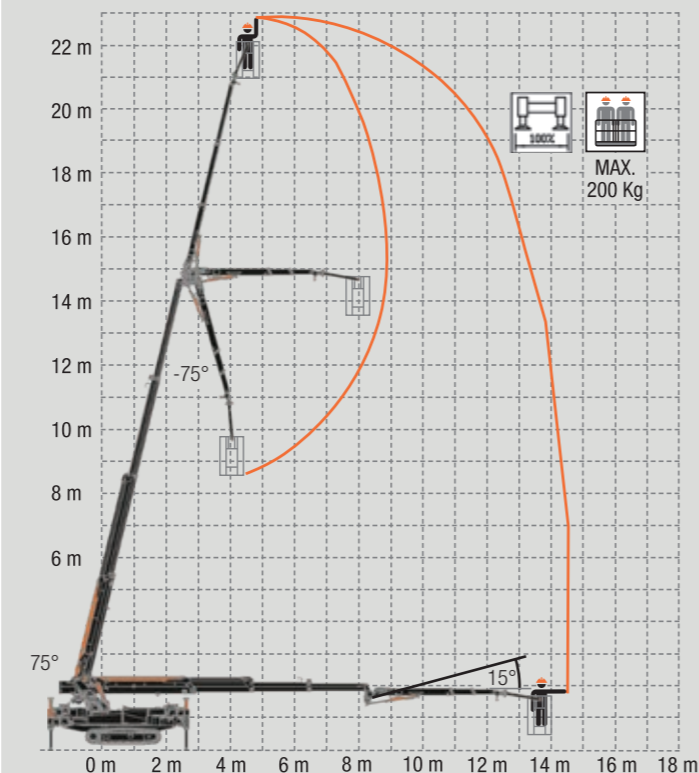
1,6 Ton Pick and Carry



M 400+ Jib



M 400 + Basket



Technical data can be modified without prior notice

- Dimensions (H x W x L): 1,96 x 1,20 x 4,25 m
- Weight (excluding accessories): 4300 kg
- Lifting capacity: 4000 kg
- Maximum outreach with hydraulic Jib (optional): 17,00 m
- Maximum lifting height with hydraulic Jib (from the ground): 21,10 m
- Maximum lifting height (underground-winch): -53,5 m

M400. Compact Crawler Crane.

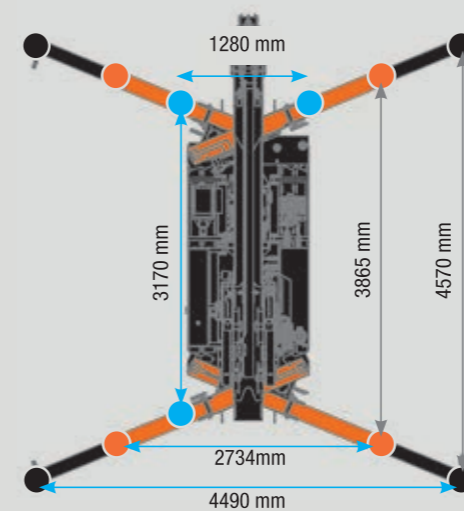
M400 is not only an amazing compact crawler crane, but also a tireless Pick & Carry Crane able to moves with millimetric precision in very narrow spaces and raising up to 1,6 Ton. Two cranes in one and more: the innovative technology of the double cross beam outriggers confer to the crane greater positioning chance, thus facilitating the use in operating situations considered for a long time impossible.



The dimensions and lightweight, combined to millimetric precision maneuverability, reduce enormously the operating time increasing the quality guaranteeing the total safety.

Power:
- 2100 kg load capacity at 14,80 mt. height, with boom in vertical position
- 750 load capacity at 21,10 mt. height, with boom and jib in vertical position.

Technical data can be modified without prior notice





Technical Specifications

| | |
|------|--|
| | Max capacity: |
| | Max outreach: |
| +Jib | Max outreach with Jib (optional): |
| | Max hook height: |
| +Jib | Max hook height with Jib (optional): |
| | Slewing angle Rotation speed: |
| | Winch (optional): First layer pull Rope length Speed in direct pull |
| | Radio remote control: |
| | Stability control: |
| | Stability system: |
| | Weights: Standard crane Jib Electric motor Winch Mobile ballast (Pick and Carry) |
| | Transmission: Scope Pressure Speed Max slope degree Max pressure on the ground |
| | Thermal Engine: Max power Max torque Tank capacity |
| | Electric Engine: Power supply Battery capacity Power |

M060

| |
|---|
| 580 Kg / 1,3 m |
| 3,01 m |
| - |
| 4,25 m |
| - |
| - 25° + 25° |
| 500 Kg 36 m 42 m / min |
| Scanreco Can-Bus + Display |
| Electrohydraulic |
| - |
| 720 + 200 Kg ballast - 140 Kg 28 Kg - |
| Moto-reducer 30 l /min 150 bar 0-2 Km/h 20° 0,25 Kg/cm ² |
| 8,7 Kw - 11,7 Hp 26,5 Nm 6 l |
| 230 V - 2,2 Kw + inverter |

M060 LI-ION

| |
|---|
| 580 Kg / 1,3 m |
| 3,01 m |
| - |
| 4,25 m |
| - |
| - 25° + 25° |
| 500 Kg 36 m 42 m / min |
| NBB Can-Bus + Color Display |
| Electronic |
| - |
| 720 + 200 Kg ballast - 40 Kg 28 Kg - |
| Moto-reducer 30 l /min 150 bar 0-2 Km/h 20° 0,25 Kg/cm ² |
| - |
| 24 V 210 Ah 5,5 Kw - 8 Hp |

M250

| |
|---|
| 2500 Kg / 1,5 m |
| 8,43 m |
| 12,85 m |
| 10,40 m |
| 16 m |
| Continuous 1,5 rpm |
| 900 Kg 68 m 47 m / min |
| Scanreco Can-Bus + Display |
| Electronic |
| Max 4155x4300 |
| 2420 Kg 210 Kg 40 Kg 65 Kg - |
| Moto-reducer 50 l /min 170 bar 0-2 Km/h 25° 0,47 Kg/cm ² |
| 18,5 Kw - 24,8Hp 71,5 Nm 13 l |
| 230 V - 2,2 Kw + inverter |

M250 LI-ION

| |
|---|
| 2500 Kg / 1,5 m |
| 8,43 m |
| 12,85 m |
| 10,40 m |
| 16 m |
| Continuous 1,5 rpm |
| 900 Kg 68 m 47 m / min |
| Scanreco Can-Bus + Display |
| Electronic |
| Max 4155x4300 |
| 2420 Kg 210 Kg 40 Kg 65 Kg - |
| Moto-reducer 50 l /min 170 bar 0-2 Km/h 25° 0,47 Kg/cm ² |
| - |
| 48 V 200 Ah 8,5 Kw - 12 Hp |

M400

| |
|---|
| 4000 Kg / 2 m |
| 12,10 m |
| 17,00 m |
| 14,80 m |
| 21,10 m |
| Continuous 1 rpm |
| 1000 Kg 60 m 47 m/min |
| Scanreco Can-Bus + Display |
| Electronic |
| Max 4490x4570 |
| 4300 Kg 230 Kg 40 Kg 65 Kg 300 Kg |
| Moto-reducer 55 l /min 200 bar 0-2 Km/h 25° 0,41 Kg/cm ² |
| 18,9 Kw - 25,7 Hp 64 Nm 25 l |
| 400 V - 5,5 Kw 48 V 200 Ah 8,5 Kw - 12 Hp |



Standard Equipment

M060

M060 LI-10N

M250

M250 LI-10N

M400

| | | | | | |
|---|---|---|---|---|---|
| Radio remote control with LCD display for crawler, chassis and crane function | ● | | ● | ● | ● |
| Radio remote control with color display for each function of machine | | ● | | | |
| Continuous rotation | | | ● | ● | ● |
| 50° crane rotation | ● | | | | |
| 180° crane rotation | | ● | | | |
| Predisposition for winch installation | ● | ● | ● | ● | ● |
| Predisposition for Jib installation | | | ● | ● | ● |
| Outriggers continuous variations control system | | | ● | ● | |
| Outriggers continuous variations control system | | | | | ● |
| Automatic stabilization | | | ● | ● | ● |
| Two speed crawler translation | ● | ● | ● | ● | ● |
| Extendable crawler | ● | ● | ● | ● | |
| Manual endothermic engine rpm increment | ● | ● | ● | ● | ● |
| N° 2 working LED lamps on the crawler | | | ● | ● | |
| N° 2 Lifting connections | ● | ● | | | |
| N° 4 Lifting connections | | | ● | ● | ● |
| Electronic limiting device | | ● | ● | ● | ● |
| Electrohydraulic limiting device | ● | | | | |
| Auto diagnostic | | ● | ● | ● | ● |
| According to EN12999 | ● | ● | | | |
| According to EN13000 | | | ● | ● | ● |
| BG Connect | | ● | ● | ● | ● |
| Smart Stability Control (SSC) | | | | | ● |



Optional Equipment

M060

M060 LI-10N

M250

M250 LI-10N

M400

| | | | | | |
|--|---|---|---|---|---|
| Scanreco radio remote control crane function | ● | | | | |
| 500 Kg hydraulic winch | ● | ● | | | |
| 900 Kg hydraulic winch | | | ● | ● | |
| 1000 Kg hydraulic winch | | | | | ● |
| Lowered hook connections | ● | ● | ● | ● | ● |
| Third line pull pulleys | | | ● | ● | |
| Fourth, third line pull pulleys | | | | | ● |
| Plates for outriggers | | | ● | ● | ● |
| Working LED light on the main boom | ● | ● | ● | ● | ● |
| Working LED light on the Jib | | | ● | ● | ● |
| N° 4 Working LED lights on the crawler | | | | | ● |
| Hydraulic Jib with opening up to 195° | | | ● | ● | ● |
| Mono phase electric engine 2,2 kW/230V with inverter | ● | | ● | ● | |
| Three phases electric engine 5,5 kW/400 V | | | | | ● |
| Automatic endothermic engine rpm increment | | | ● | | ● |
| No marking rubber pads | ● | ● | ● | ● | ● |
| Two man baskets capacity CE | | | ● | ● | ● |
| LED lights for outriggers | | | | | ● |
| Green oil | ● | ● | ● | ● | ● |
| Automatic crane closing | | | ● | ● | ● |
| Electric engine with lithium battery | | | | | ● |

Technical data can be modified without prior notice

Technical data can be modified without prior notice



760 rue Bériault, Longueuil, Québec (Canada) J4G 1R8
1-833-360-3330 | info@sosequiment.ca