

# niftylift

# TM34



(A) 40ft 6in



(B) 34ft



(C) 16ft 6in



500lbs



3ft 7in x 2ft 2in



(D) 6ft 3in



(E) 3ft 7in



(F) 4ft 11in



(G) 8ft 10in



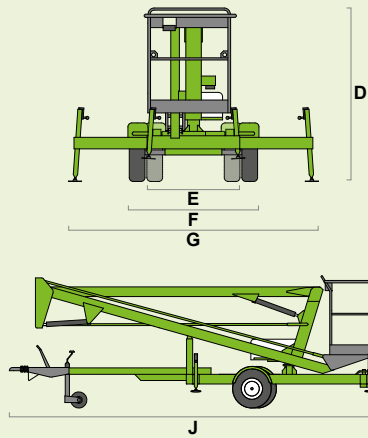
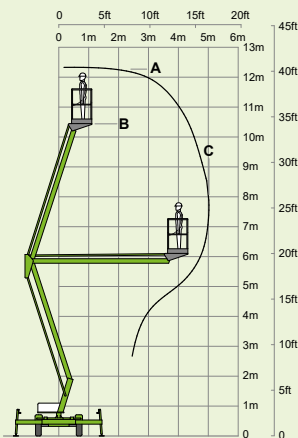
(J) 18ft 10in



2560lbs



4%  
2.1°



**niftylift**  
1438 S. Buncombe Road,  
Greer, SC - 29651  
United States  
1-800-643-8954  
usasales@niftylift.com  
www.niftylift.com



**SOSEQUIMENT**  
7520 W. Dakota St., Englewood, Colorado 80150  
1-833-353-3333 | info@sosequiment.com

