

Genie® TZ™ -34/20 & TZ-50

Specifications

Models	TZ-34/20		TZ-50	
	US	Metric	US	Metric
Measurements				
Working height max. ⁽¹⁾	40 ft	12.19 m	55 ft 6 in	16.92 m
Platform height	34 ft	10.36 m	49 ft 6 in	15.09 m
Entry height- extended	6.4 in	0.16 m	1 ft 8 in	0.51 m
Horizontal reach	18 ft 4 in	5.59 m	29 ft 2 in	8.89 m
Clear out reach	13 ft 5 in	4.09 m	23 ft 1 in	7.04 m
Up-and-over clearance	16 ft 1 in	4.90 m	22 ft	6.71 m
A Platform length	2 ft 2.8 in	0.68 m	2 ft 2.8 in	0.68 m
B Platform width	3 ft 8 in	1.12 m	3 ft 8 in	1.12 m
C Height - stowed	6 ft 4.5 in	1.94 m	6 ft 10 in	2.08 m
D Length- stowed	18 ft 0.5 in	5.50 m	23 ft 6 in	7.16 m
E Width- stowed	4 ft 9.1 in	1.45 m	5 ft 6 in	1.68 m
F Ground clearance	9.5 in	0.24 m	10 in	0.25 m
G Length-outrigger footprint	10 ft 8.4 in	3.26 m	14 ft 4 in	4.37 m
H Width-outrigger footprint	11 ft 9.4 in	3.59 m	14 ft 4 in	4.37 m

Productivity

Lift capacity (ANSI, CSA) - standard	500 lb	227 kg	500 lb	227 kg
Lift capacity (ANSI, CSA) - rotating platform	460 lb	209 lb	500 lb	227 kg
Lift capacity (CE/AUS) - standard	440 lb	200 kg	440 lb	200 kg
Lift capacity (CE/AUS) - rotating platform	400 lb	181 kg	440 lb	200 kg
Platform rotation - mechanical	90°		-	
Platform rotation - hydraulic	-		160°	
Turntable rotation	359°		359°	
Outrigger leveling capability		11°		
Towing speed rate	60 mph	97 km/h	60 mph	97 km/h
Tongue weight - ANSI, CSA	315 lb	143 kg	400 lb	181 kg
Tongue weight - CE	163 lb	74 kg	220 lb	100 kg
Tire size - ANSI, CSA	ST 205/75 R15		ST 225/75 R15	
Tire size - CE	185R-14C		215 R14C	

Power

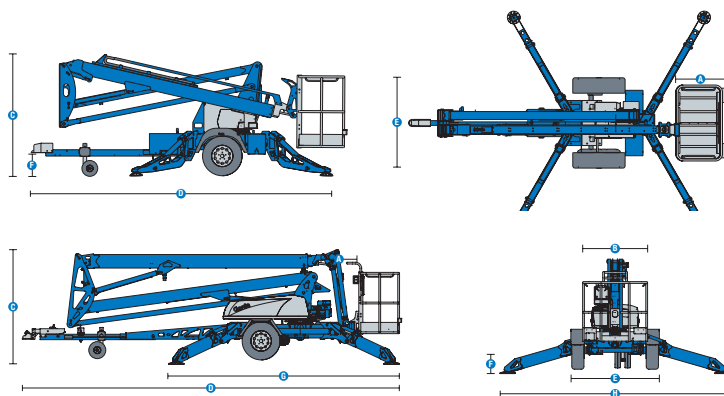
Power source- standard	24V (4x6V 225Ah)			
Hydraulic tank capacity	2.65 gal	10L	4.75 gal	18L
Hydraulic system capacity	4.5 gal	17L	8.0 gal	30L

Weight⁽³⁾

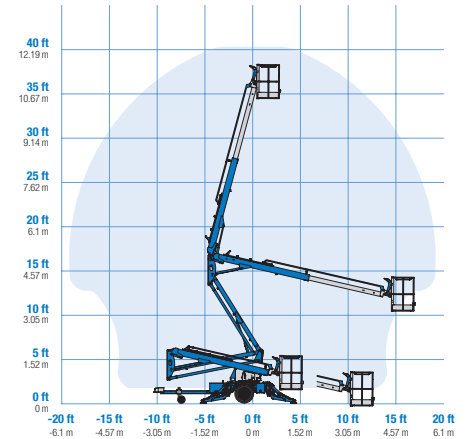
Weight- ANSI, CSA, Australia	3,155 lb	1,431 kg	4,400 lb	1,996 kg
------------------------------	----------	----------	----------	----------

Sound and Vibration Levels

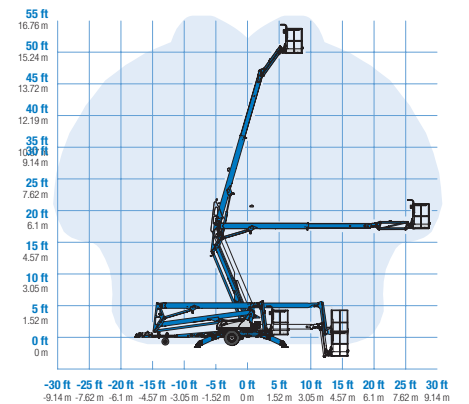
Sound Pressure level (ground workstation)	< 70 dBA
Sound Pressure level (platform workstation)	< 70 dBA
Vibrations	< 2.5 m/s ²



Range of motion TZ-34/20



Range of motion TZ-50



SOSEQUIMENT

760 rue Bériault, Longueuil, Québec (Canada) J4G 1R8
1-833-360-3330 | info@sosequiment.ca

Genie® TZ™ -34/20 & TZ-50

SKU: Standard Model

- **TZ340001AD0001:** TZ-34 DC
- **TZ500001AD0001:** TZ-50 DC, Hybrid
- **TZ500001AD0002:** TZ-50 DC

* Build to Order

Option availability	S	S+	BtO
Power	High capacity battery		○
	Standard battery	✓	○
	Battery charge indicator (BCI)		○
	Drive and set option		○
	24V DC Power	✓	✓
	359 degree non-continuous rotation	✓	✓
	Hour meter	✓	✓
	Illuminated outrigger indicators	✓	✓
	Tilt alarm sensor	✓	✓
	Platform	Fluorescent tube caddy	
Horn			○
Platform rotation (hydraulic) 160 degrees (TZ-50 only)			○
Platform rotation (manual) 90 degrees (TZ-34/20 only)			○
Tool tray			✓
AC power to platform		✓	✓
Aluminum 26.8in x 44in platform		✓	✓
Self leveling platform (2.5 degrees)		✓	✓
Variable speed control system		✓	✓
Chassis	Lift Connect Telematics		○
	Lift Connect with Access Manager upgrade		○
	Ball coupler 2 in	✓	○
	Flashing beacon		○
	Non-marking outrigger foot pads		○
	Spare tire		○
	Wheel chocks (TZ-34/20 only)		✓
	10in solid plastic wheel (TZ-50 only)	✓	✓
	8in solid plastic wheel (TZ-34/20 only)	✓	✓
	Automatic leveling system (11 degrees)	✓	✓
	Auxiliary platform descent	✓	✓
	Combination hitch	✓	✓
	Forklift pockets	✓	✓
	Highway safety chains with snap lock	✓	✓
	Hydraulic outriggers	✓	✓
	Hydraulic surge breaks	✓	✓
	LED brake light	✓	✓
	Mechanical parking brake	✓	✓
	Outrigger interlocks	✓	✓

- S Standard
- S+ Standard +
- BtO Build to Order
- ✓ Standard Features
- Options



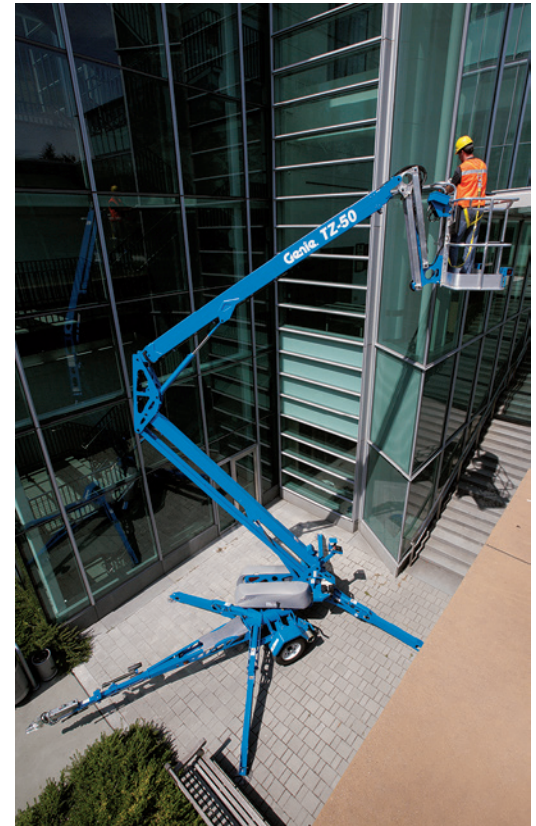
Truck Towable



Quick Setup



Low Floor Loading



Genie Genuine Accessories⁽¹⁾

- Ball coupler 2 5/16 in
- Clevis coupler
- Dual 10in air-filled tires (TZ-34/20 only)
- I.D. pintle ring coupler 2 1/2 in

(1) More accessories available from Genie Genuine Parts.



760 rue Bériault, Longueuil, Québec (Canada) J4G 1R8
1-833-360-3330 | info@sosequiment.ca

Product specifications are subject to change without notice or obligation. Photographs and/or drawings herein are for illustrative purposes only. Refer to the appropriate Operator's Manual for instructions on proper equipment use. Failure to follow instructions in the Operator's Manual may result in serious injury or death. The only warranty applicable to our equipment is the standard written warranty applicable to the particular product and sale and we make no other warranty, express or implied. Products and services listed may be trademarks, service marks or trade names of Terex Corporation and/or their subsidiaries in the USA and many other countries. Terex, Genie, Quality By Design, Xtra Capacity, Lift Power, Lift Guard, Lift Tools, Lift Connect and Tech Pro Link are registered trademarks of Terex Corporation or its subsidiaries.

Updated 10/21



A TEREX BRAND
© 2021 Terex Corporation

