



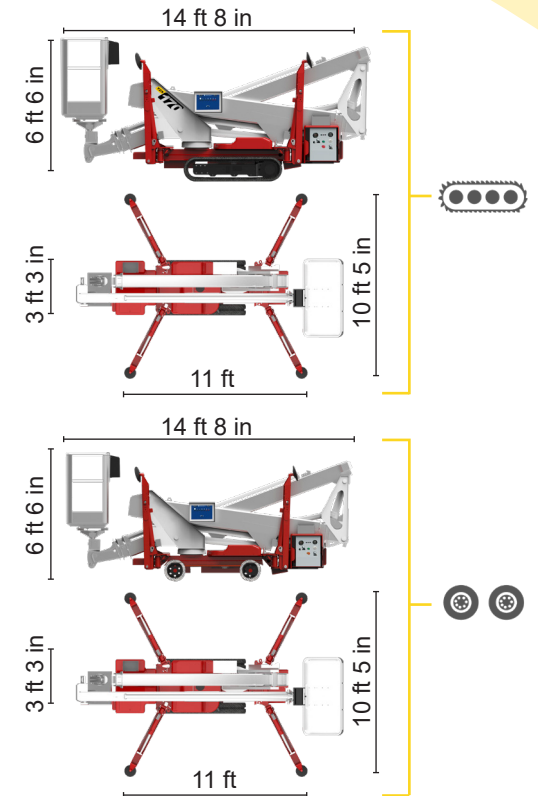
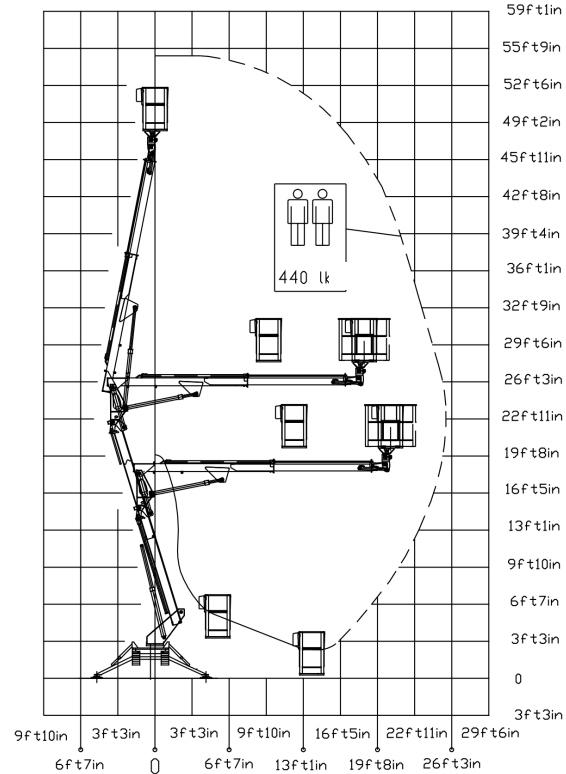
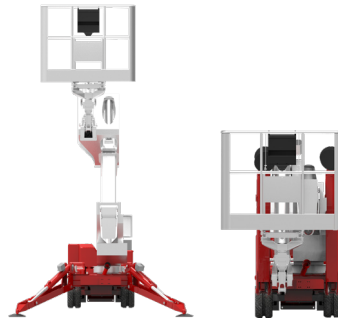
**BI-ENERGY**



Diesel  
10,6 kW



Single-phase  
Electric motor  
110VAC - 2,2 kW



TZX 550/C		55 ft 9 in	25 ft 7 in	440 lb	360°	4 ft 7 in x 2 ft 4 in	90°+90°	10 ft 5 in	18%	31%	1,49 mph	4409 lb	2923 lb	39,03 psf	66,8 psf
TZX 550/W		55 ft 9 in	25 ft 7 in	440 lb	360°	4 ft 7 in x 2 ft 4 in	90°+90°	10 ft 5 in	18%	25%	1,24 mph	4409 lb	2923 lb	39,03 psf	66,8 psf

Available power options:

**BI-ENERGY** (DIESEL+AC)

**EKO** (AC+BATTERY)

Characteristics and technical data are informative only and subjected to change without notice.

**SOSEQUIMENT**

760 rue Bériault, Longueuil, Québec (Canada) J4G 1R8  
1-833-360-3330 | info@sosequiment.ca

Palazzani Industrie S.p.A.

Via del Pavione, 4 - 25050 - Paderno F.C. (BS) - Italy

Tel. (+39) 0306857073

info@palazzani.it

www.palazzani.it



**Palazzani**  
INDUSTRIE

QUALITY SYSTEM  
CERTIFIED BY BUREAU VERITAS  
= ISO 9001 =



NC 795 A 22



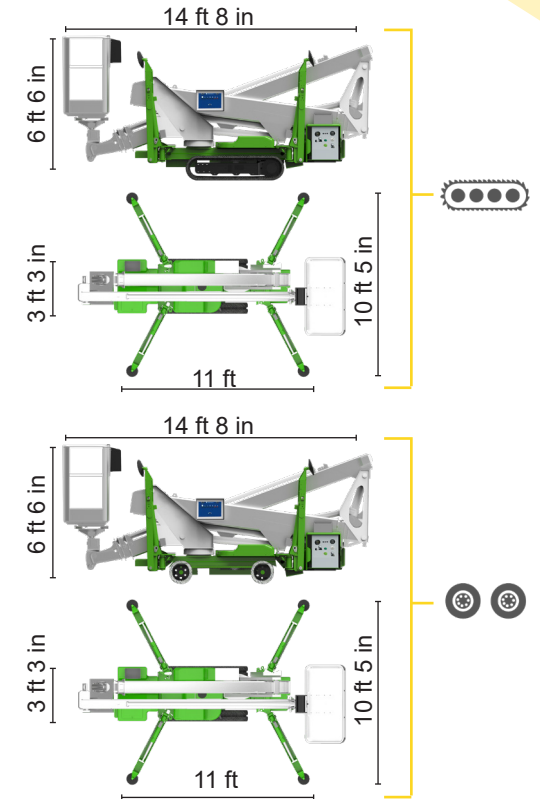
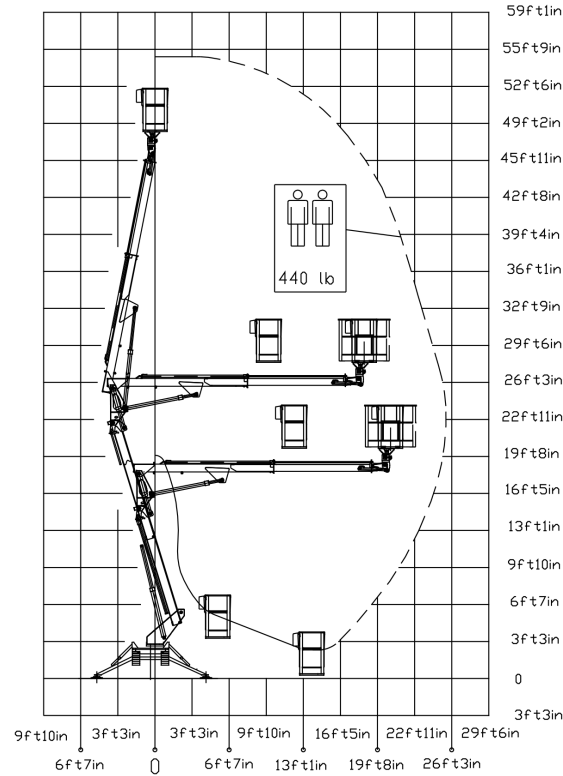
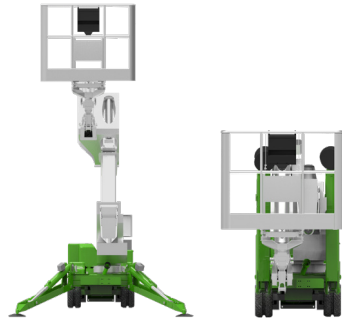
**ECO**

---

Single-phase  
Electric motor  
110 VAC - 5,5 kW

---

Lithium iron  
phosphate battery  
LiFePO4  
24V 240Ah



TZX 550/C		55 ft 9 in	25 ft 7 in	440 lb	360°	4 ft 7 in x 2 ft 4 in	90°+90°	10 ft 5 in	18%	31%	1,49 mph	4409 lb	2922 lb	39,1 psf	66,8 psf
TZX 550/W		55 ft 9 in	25 ft 7 in	440 lb	360°	4 ft 7 in x 2 ft 4 in	90°+90°	10 ft 5 in	18%	25%	1,24 mph	4409 lb	2922 lb	39,1 psf	66,8 psf

Available power options:

- BI-ENERGY** (DIESEL+AC)
- ECO** (AC+BATTERY)

**SOSEQUIMENT**

760 rue Bériault, Longueuil, Québec (Canada) J4G 1R8  
1-833-360-3330 | info@sossequiment.ca

Palazzani Industrie S.p.A.  
Via del Pavione, 4 - 25050 - Paderno F.C. (BS) - Italy  
Tel. (+39) 0306857073  
info@palazzani.it  
www.palazzani.it



**Palazzani**  
INDUSTRIE

QUALITY SYSTEM  
CERTIFIED BY BUREAU VERITAS  
= ISO 9001=



NC 796 A 22

Characteristics and technical data are informative only and subjected to change without notice.