
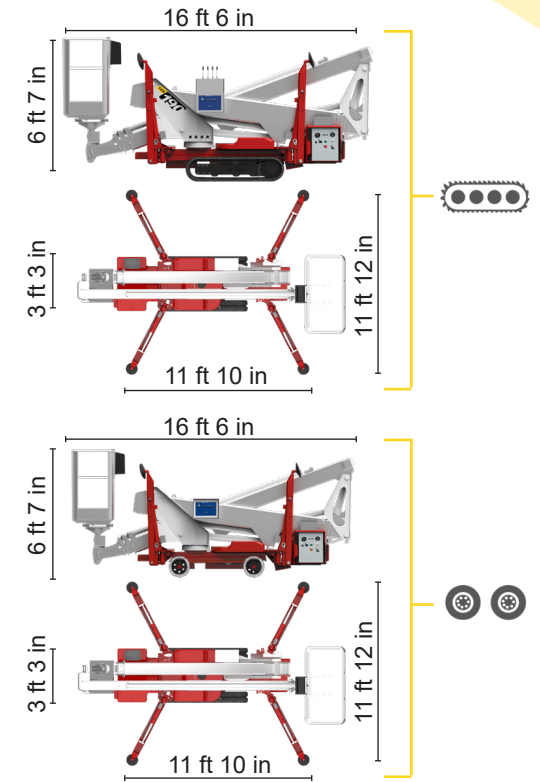
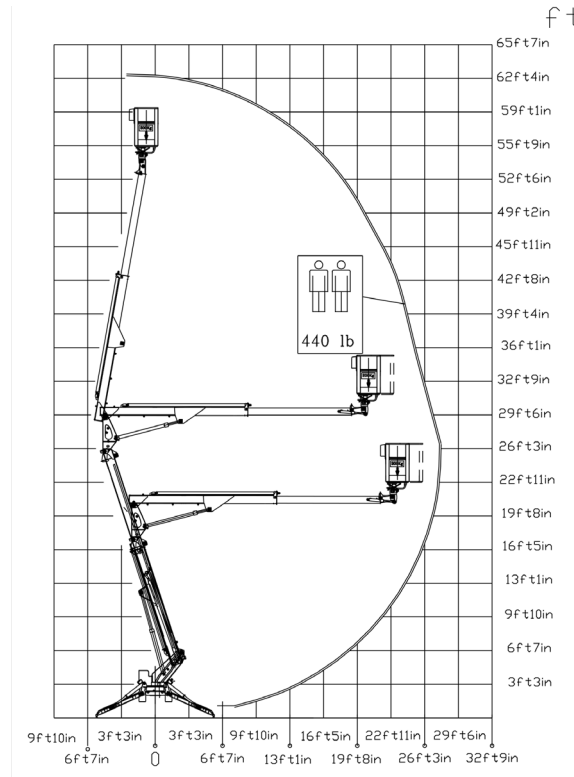
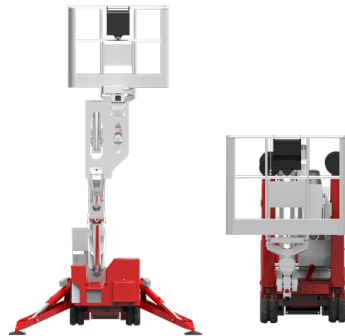






**BI-ENERGY**

 Diesel  
10,6 kW

 Single-phase  
Electric motor  
110VAC - 2,2 kW



TZX 620/C		62 ft 4 in	27 ft 11 in	440 lb	360°	4 ft 7 in x 2 ft 4 in	90°+90°	11 ft 12 in	21%	23%	1,24 mph	5071 lb	3597 lb	36,5 psf	68,3 psf
TZX 620/W		62 ft 4 in	27 ft 11 in	440 lb	360°	4 ft 7 in x 2 ft 4 in	90°+90°	11 ft 12 in	21%	21%	0,62 mph	5291 lb	3597 lb	38 psf	71,2 psf

Available power options:

**BI-ENERGY** (DIESEL+AC)

**ECO** (AC+BATTERY)

**SOSEQUIPMENT**

760 rue Bériault, Longueuil, Québec (Canada) J4G 1R8  
1-833-360-3330 | info@sosequipment.ca

Palazzani Industrie S.p.A.

Via del Pavione, 4 - 25050 - Paderno F.C. (BS) - Italy

Tel. (+39) 0306857073

info@palazzani.it

www.palazzani.it



**Palazzani**  
INDUSTRIE

QUALITY SYSTEM  
CERTIFIED BY BUREAU VERITAS  
= ISO 9001=



NC 797 A 22

Characteristics and technical data are informative only and subjected to change without notice.



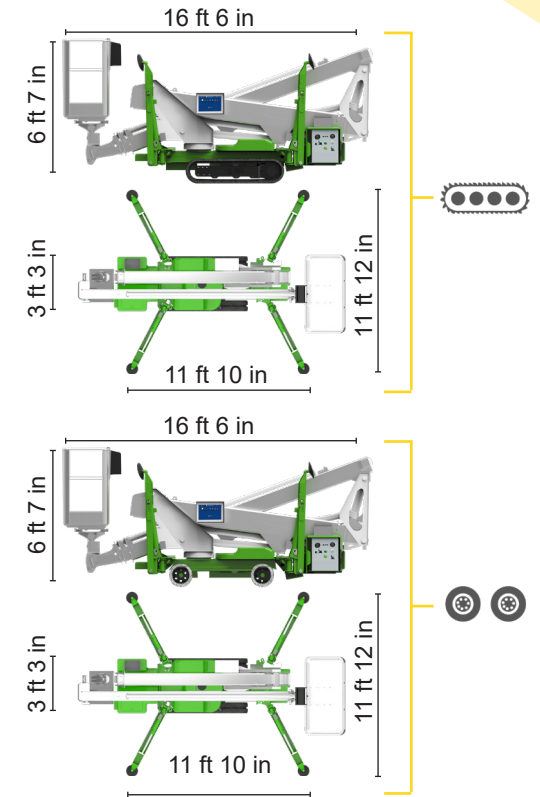
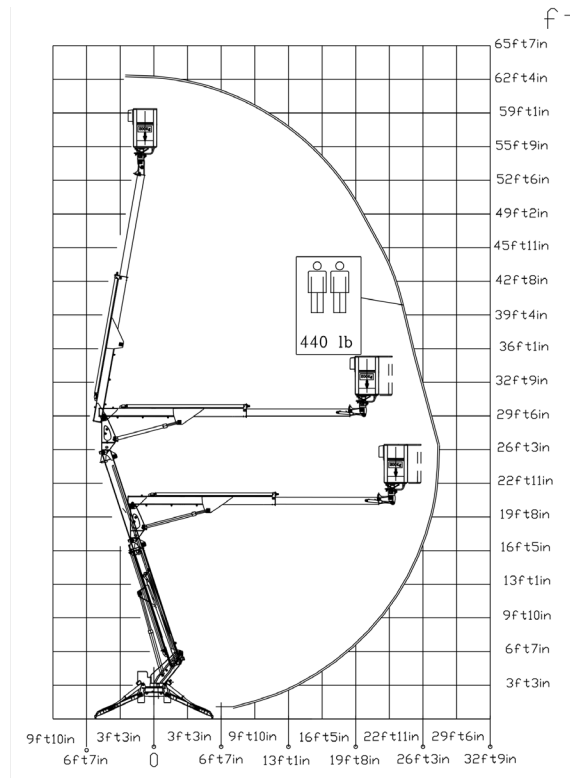
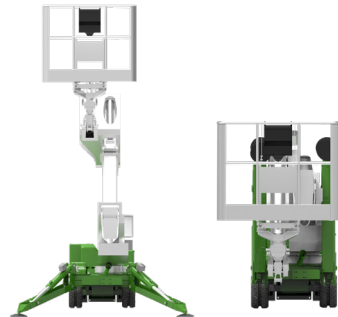
**ECO**

---

Single-phase  
Electric motor  
110 VAC - 5,5 kW

---

Lithium iron  
phosphate battery  
LiFePO4  
48V 200Ah



TZX 620/C		62 ft 4 in	27 ft 11 in	440 lb	360°	4 ft 7 in x 2 ft 4 in	90°+90°	11 ft 12 in	21%	23%	1,49 mph	5071 lb	3597 lb	36,5 psf	68,3 psf
TZX 620/W		62 ft 4 in	27 ft 11 in	440 lb	360°	4 ft 7 in x 2 ft 4 in	90°+90°	11 ft 12 in	21%	21%	0,62 mph	5291 lb	3597 lb	38 psf	71,2 psf

Available power options:

- BI-ENERGY** (DIESEL+AC)
- ECO** (AC+BATTERY)

**SOSEQUIMENT**

760 rue Bériault, Longueuil, Québec (Canada) J4G 1R8  
1-833-360-3330 | info@sossequiment.ca

Palazzani Industrie S.p.A.  
Via del Pavione, 4 - 25050 - Paderno F.C. (BS) - Italy  
Tel. (+39) 0306857073  
info@palazzani.it  
www.palazzani.it



**Palazzani**  
INDUSTRIE

QUALITY SYSTEM  
CERTIFIED BY BUREAU VERITAS  
= ISO 9001=



NC 798 A 22

Characteristics and technical data are informative only and subjected to change without notice.