



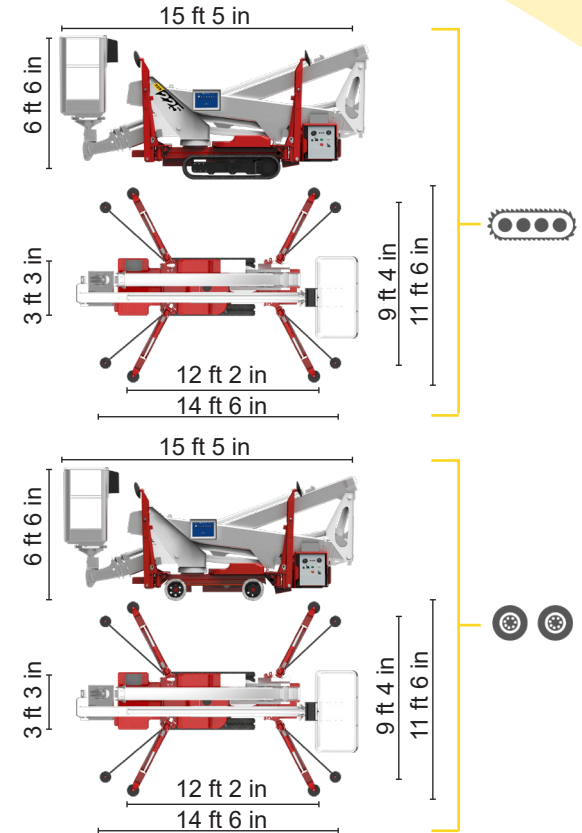
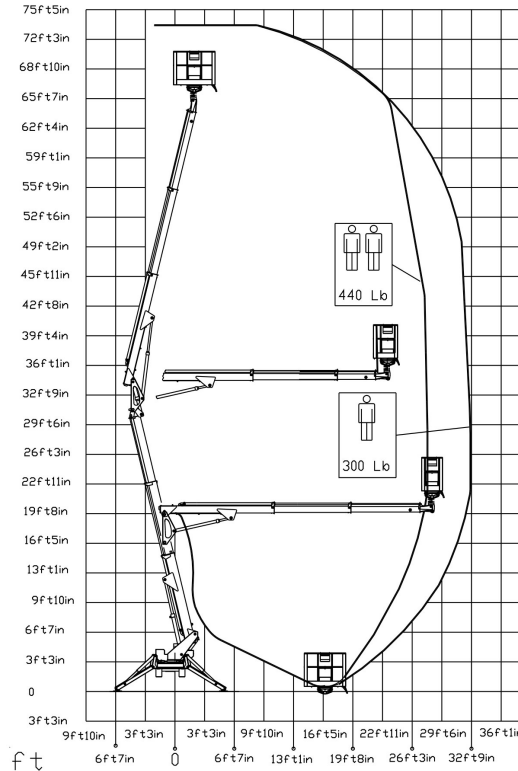
BI-ENERGY



Diesel
10,6 kW



Single-phase
Electric motor
110VAC - 2,5 kW



TZX 730/C		73 ft 10 in	33 ft 6 in	440 lb	360°	4 ft 7 in x 2 ft 4 in	90°+90°	9 ft 4 in-11 ft 6 in	19%	23%	1,49 mph	5644 lb	4384 lb	41,1 psf	79,4 psf
TZX 730/W		73 ft 10 in	33 ft 6 in	440 lb	360°	4 ft 7 in x 2 ft 4 in	90°+90°	9 ft 4 in-11 ft 6 in	19%	21%	0,93 mph	5512 lb	4384 lb	40,1 psf	79,4 psf

Available power options:

BI-ENERGY (DIESEL+AC)

ECO (AC+BATTERY)

SOSEQUIMENT

760 rue Bériault, Longueuil, Québec (Canada) J4G 1R8
1-833-360-3330 | info@sosequiment.ca

Palazzani Industrie S.p.A.

Via del Pavione, 4 - 25050 - Paderno F.C. (BS) - Italy

Tel. (+39) 0306857073

info@palazzani.it

www.palazzani.it



Palazzani
INDUSTRIE

QUALITY SYSTEM
CERTIFIED BY BUREAU VERITAS
= ISO 9001=





NC 799 A 22

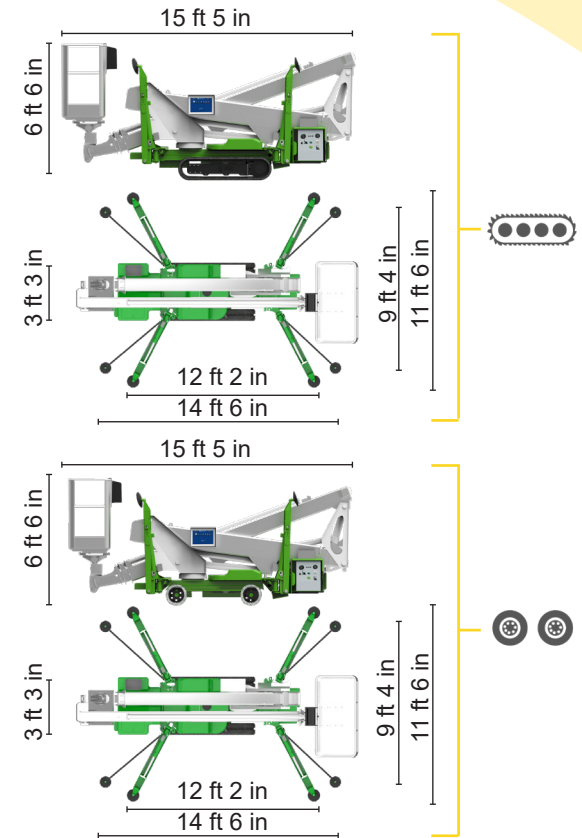
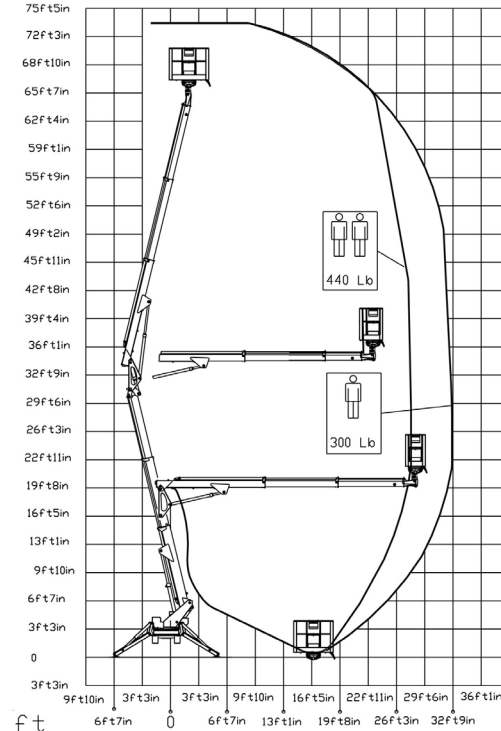
Characteristics and technical data are informative only and subjected to change without notice.





ECO

 Single-phase
Electric motor 23
110 VAC - 5,5 kW

 Lithium iron
phosphate battery
LiFePO4
24V 480Ah



TZX 730/C		73 ft 10 in	33 ft 6 in	440 lb	360°	4 ft 7 in x 2 ft 4 in	90°+90°	9 ft 4 in-11 ft 6 in	19%	23%	0,87 mph	5512 lb	4384 lb	40,1 psf	79,4 psf
TZX 730/W		73 ft 10 in	33 ft 6 in	440 lb	360°	4 ft 7 in x 2 ft 4 in	90°+90°	9 ft 4 in-11 ft 6 in	19%	21%	0,93 mph	5512 lb	4384 lb	40,1 psf	79,4 psf

Available power options:

BI-ENERGY (DIESEL+AC)

ECO (AC+BATTERY)

SOSEQUIPMENT

760 rue Bériault, Longueuil, Québec (Canada) J4G 1R8
1-833-360-3330 | info@sosequipment.ca

Palazzani Industrie S.p.A.

Via del Pavione, 4 - 25050 - Paderno F.C. (BS) - Italy

Tel. (+39) 0306857073

info@palazzani.it

www.palazzani.it



Palazzani
INDUSTRIE

QUALITY SYSTEM
CERTIFIED BY BUREAU VERITAS
= ISO 9001=



NC 800 A 22

Characteristics and technical data are informative only and subjected to change without notice.