

Model TOUCAN 8E-L

MAST BOOM LIFTS



MORE ECONOMIC

- Electric power for zero emissions and near-silent running indoors.

MORE PRODUCTIVE

- No waiting with immediate-response AC drive motors for greater torque and efficiency.

MORE ACCESS

- Get into more places with compact dimensions and precise control system.

SMART DESIGN

- Extended reach and up-and-over height with heavy duty forklift-style mast and versatile articulating jib.



Standard Features

- 0.85 m x 0.92 m (L x W) steel platform
- Slide bar rear entry
- Full proportional drive and slew joystick control with integral thumb steer switch
- Mini joysticks provide proportional mast and jib lift/lower functions
- 1.17 m articulating jib
- Load sensing system
- AC power cable to platform
- Large tool tray
- Two wheel direct electric drive
- Brushless AC drive motors
- Auto power save when idle
- Low charge function cut-out
- On-board diagnostics with integral display
- Automatic rear wheel brakes
- Sculptured polyester hoods
- Heavy duty steel roller mast with 345° rotation
- Chain slack detection system
- 2,5 degree tilt alarm and indicator light
- Passive pothole protection system
- 0.99 m wide frame
- Lifting /tie down rings
- Ground control selector switch with key lock
- Battery discharge indicator
- Hour meter
- Horn
- Drive orientation system
- Lanyard anchor points
- Zenon strobe light
- Manual descent system

Standard Specifications

- | | |
|-----------------------------|----------------|
| • Tyres (non-marking solid) | 406 x 125 mm |
| • Electrical system | 24V DC |
| • Batteries (AGM) | 24 V - 213 A.h |
| • Charger | 24V - 27A |
| • Drive motors | Dual AC motors |
| • Electrical (pump) motor | 3kW 24V DC |
| • Hydraulic system | 7.5 L |

Accessories & Options

- XL (steel) platform 0.92 m x 1.06 m rear entry platform + double side opening
- 8 mm air line to platform
- Acoustic motion alarm
- Food Compatible Hydraulic Oil
- Low Temperature Hydraulic Oil
- Platform Power Plug & Socket¹
- Platform work lights 70W
- Synthetic Biodegradable Hydraulic Oil
- Special paint colour



760 rue Bériault, Longueuil, Québec (Canada) J4G 1R8
1-833-360-3330 | info@sosequiment.ca

¹ Included with circuit breaker on AC cable to platform option. NB 110V or 230V power must be specified

Model TOUCAN 8E-L

MAST BOOM LIFTS

Performance

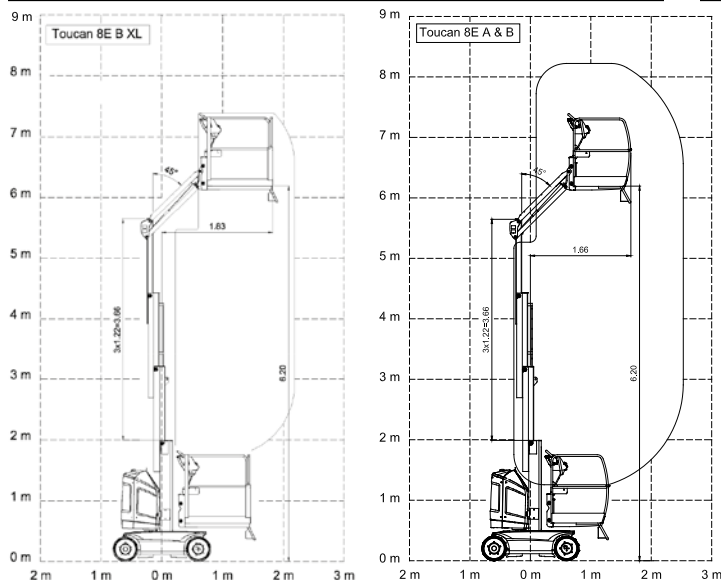
- Working height 8.20 m
- Working outreach (standard platform) 2.65 m
- Working outreach (XL- platform) 2.82 m
- Up and over height 5.08 m
- Swing (not continuous) 345°
- Platform capacity ¹ 200 kg
- Jib - overall length 1.17 m
- Jib - range of articulation 112° (+45°/ -67°)
 - A. Platform size standard platform (L x W) 0.85 x 0.92 m
 - Platform size XL platform (L x W) 1.06 x 0.92 m
 - B. Overall width 0.99 m
 - C. Tailswing 17 cm
 - D. Stowed height 1.99 m
 - E. Overall length (standard platform) 2.10 m
 - Overall length (XL platform) 2.35 m
 - F. Wheelbase 1.20 m
 - G. Ground clearance 10 cm
- Machine weight - standard platform ² 1,860 kg
- Machine weight - XL- platform ² 2,125kg
- Maximum ground bearing pressure ² 15,9 kg/cm²
- Maximum ground bearing pressure - XL- platform 17,1 kg/cm²
- Drive speed - lowered 5.5 km/h
- Turning radius (outside) 1.99 m
- Turning radius (inside) 0.55 m
- Gradeability 25%



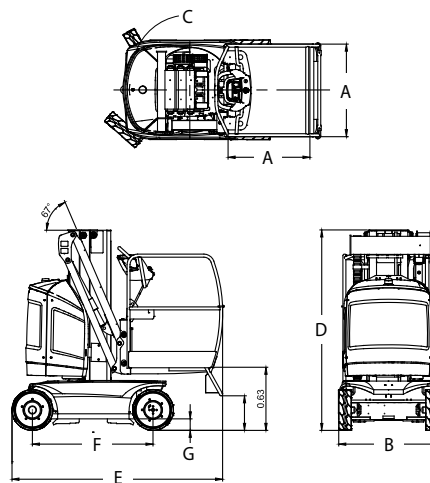
¹ Capacity shown is maximum two persons indoor and one person outdoor (12.5 m/s wind speed)

² Certain options or country standards may increase weight and/or dimensions.

Reach Diagram



Dimensions



IMPORTANT

JLG is continually researching and developing products and reserves the right to make modifications without prior notice. All data in this document is indicative. Certain options or country standards will increase weight. Specifications may change to meet country standards or with the addition of optional equipment.

SOSEQUIMENT

760 rue Bériault, Longueuil, Québec (Canada) J4G 1R8
1-833-360-3330 | info@sosequiment.ca

JLG

JLG EMEA BV

Polaris Avenue 63
2132 JH Hoofddorp
The Netherlands
Tel: +31 (0)23 565 5665
Fax: +31 (0)23 557 3750
www.jlg.com

An Oshkosh Corporation Company