



Handling Systems

VacuMaster Glass Outdoor



760 rue Bériault, Longueuil, Québec (Canada) J4G 1R8
1-833-360-3330 | info@sosequiment.ca

Schmalz: Vacuum Technology for Intelligent Automation and Ergonomic Handling

1500
employees

working hard for our customers.

20
locations

for outstanding customer service worldwide.

9
percent

of our revenue is invested in innovative ideas and new products.

580
copyrights

are proof of our groundbreaking innovations.



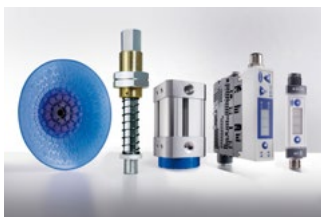
Schmalz is the Market Leader in Vacuum Automation and Ergonomic Handling Systems.

The Handling Systems unit offers innovative handling solutions with vacuum lifters and crane systems for industrial and handicraft applications. The wide range of products in the Vacuum Automation unit includes individual components such as suction cups and vacuum generators, as well as complete gripping systems and clamping solutions for holding workpieces, for example in CNC machining centers.

Our products are used in different applications for example in the logistics industry, the automotive industry, the glass industry and in furniture production.

With comprehensive consulting, a focus on innovation and first-class quality, Schmalz offers its customers long-lasting benefits. Schmalz's intelligent solutions make production and logistics processes more flexible and efficient, while also preparing them for the increasing trend toward digitalization.

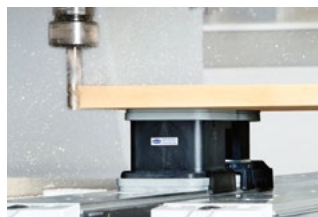
Vacuum Automation



Components



Systems



Clamping solutions

Handling Systems



Vacuum lifters and crane systems

Vacuum Lifting Devices VacuMaster Glass



Vacuum Lifting Device VacuMaster Glass 600



Vacuum Lifting Device VacuMaster Glass 450



Vacuum Lifting Device VacuMaster Glass 600

Our Highlights...

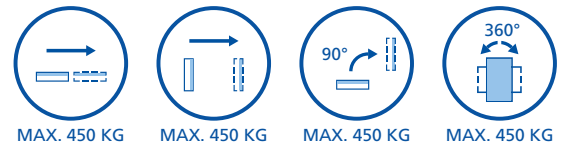
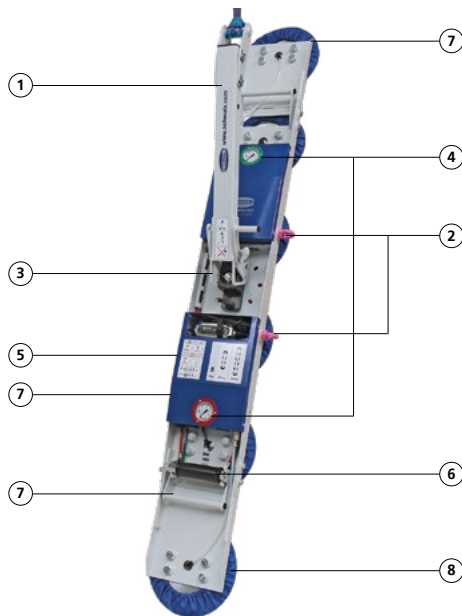
- Vacuum lifting device with smooth suction cups
- Smooth swiveling and turning of the workpiece
- Two redundant vacuum circuits, acoustic warning device, integrated power failure monitoring and safety reservoir
- Modular design with extension arms and quick-release suction plates for high flexibility
- Battery operated with 12V battery
- Very flat design (max. height 250 mm)
- UV and ozone resistant suction plates incl. protective cover
- VacuMaster Glass 1000 with lowering cylinder
- Optional radio remote control for the VacuMaster Glass 1000

Your Benefits...

- Safe and gentle handling of glass workpieces without damage
- Easy and ergonomic operation
- High degree of safety (according to DIN EN 13155)
- Easy and quick adaptation to varying glass sizes and loads
- Operation without external power supply
- Use in narrow work areas such as scaffolding between spaces possible
- Specially designed for outdoor use
- Optimal pre-tilt of the workpiece before transport for easy positioning and assembly
- Remote release of the workpiece during the assembly process

VacuMaster Glass 450

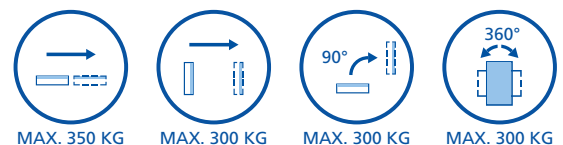
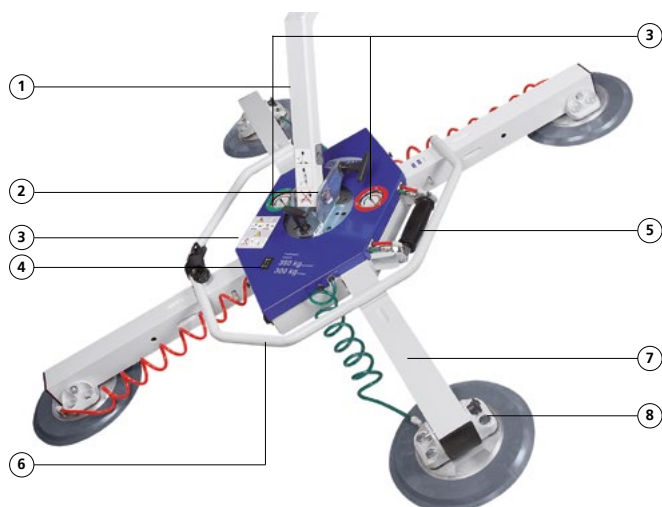
The VacuMaster Glass 450 is designed for loads up to 450 kg (horizontal and vertical). The VacuMaster Glass 450 weighs 48 – 58 kg. The lift capacity depends on the number of suction plates (75 kg/suction plate).



- ① Removable load arm with adjustable hanging loop
- ② Suspension eyes for attachment without load arm
- ③ Manual swivel and turn device
- ④ Two pressure gauges to indicate the vacuum per circuit
- ⑤ Status display for the state of charge of the battery
- ⑥ Manual slide valve for vacuum on/off
- ⑦ Handle bar for guiding the lifting device
- ⑧ Outer suction plates removable for small workpieces

VacuMaster Glass 350/300

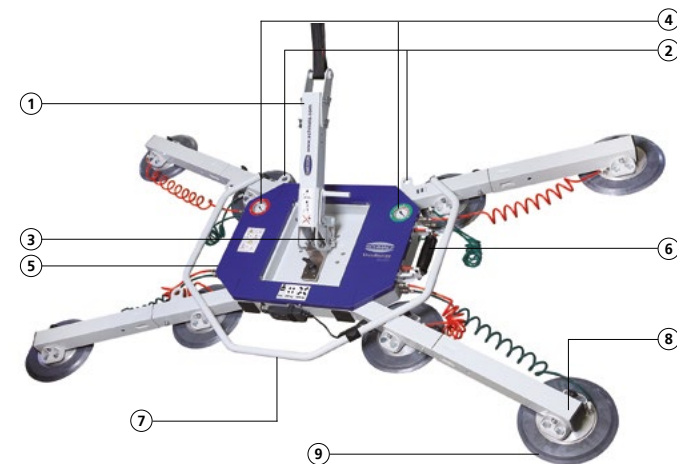
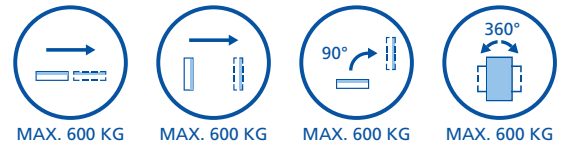
The VacuMaster Glass 350/300 is designed for loads up to 350 kg (horizontal) or 300 kg (vertical). The VacuMaster Glass 350/300 weighs 35 – 43 kg. The lift capacity depends on the number of suction plates (75 kg / suction plate).



- ① Load arm for suspension
- ② Manual swivel and turn device
- ③ Two pressure gauges to indicate the vacuum per circuit
- ④ Status display for the state of charge of the battery
- ⑤ Manual slide valve for vacuum on/off
- ⑥ Handle bar for guiding the lifting device
- ⑦ Removable load arms for small workpieces
- ⑧ All suction plates with quickly changeable position

VacuMaster Glass 600

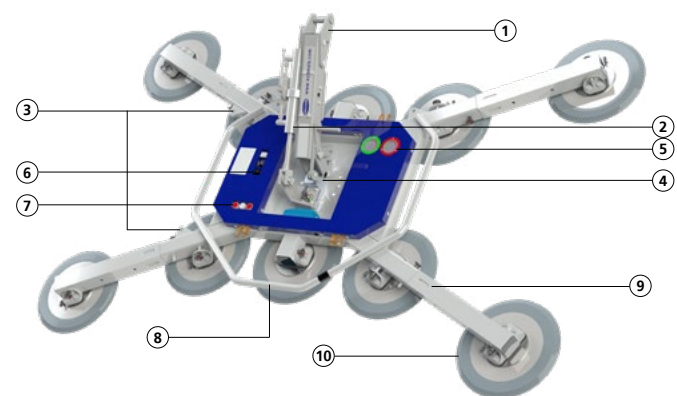
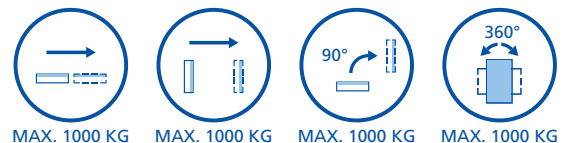
The VacuMaster Glass 600 is designed for loads up to 600 kg (horizontal and vertical). The VacuMaster Glass 600 weighs 66 – 86 kg. The lift capacity depends on the number of suction plates (75 kg/suction plate).



- ① Removable load arm with adjustable hanging loop
- ② Suspension eyes for attachment without load arm
- ③ Manual swivel and turn device
- ④ Two pressure gauges to indicate the vacuum per circuit
- ⑤ Status display for state of charge of the battery
- ⑥ Manual slide valve for vacuum on/off
- ⑦ Circulating handlebar for guiding the lifting device
- ⑧ Removable extension arms
- ⑨ All suction plates with quickly adjustable position and removable for small workpieces

VacuMaster Glass 1000

The VacuMaster Glass 1000 is designed for loads up to 1000 kg (horizontal and vertical). The VacuMaster Glass 1000 weighs 130 – 140 kg. The lift capacity depends on the number of suction plates (100 kg/suction plate).



- ① Removable load arm with adjustable hanging loop
- ② Lowering cylinder with blocking function for safe tilting
- ③ Suspension eyes for attachment without load arm
- ④ Manual swivel and turn device
- ⑤ Two pressure gauges to indicate the vacuum per circuit
- ⑥ Status display for state of charge of the battery
- ⑦ Electronic pushbutton for vacuum on/off (optionally controllable via radio remote control)
- ⑧ Circulating handlebar for guiding the lifting device
- ⑨ Removable extension arms
- ⑩ All suction plates with quickly adjustable position and removable for small workpieces

At your service worldwide

NORTH AMERICA

EUROPE



Headquarters

Schmalz Germany – Glatten

Sales and Production Companies

Schmalz Australia – Melbourne
 Schmalz China – Shanghai
 Schmalz India – Pune

Schmalz Japan – Yokohama
 Schmalz United States – Raleigh (NC)

Subsidiaries

Schmalz Austria – Linz
 Schmalz Benelux – Hengelo (NL)
 Schmalz Canada – Mississauga
 Schmalz Finland – Vantaa
 Schmalz France – Champs-sur-Marne
 Schmalz Italy – Novara
 Schmalz Mexico – Querétaro

Schmalz Poland – Suchy Las (Poznan)
 Schmalz Russia – Moscow
 Schmalz Spain – Erandio (Vizcaya)
 Schmalz South Korea – Anyang
 Schmalz Switzerland – Nürens Dorf
 Schmalz Turkey – Istanbul

Sales Partners

You can find the Schmalz sales partner in your country at:
WWW.SCHMALZ.COM/SALESNETWORK

Vacuum Automation

WWW.SCHMALZ.COM/AUTOMATION

Handling Systems

WWW.SCHMALZ.COM/HANDLING-SYSTEMS

J. Schmalz GmbH
 Johannes-Schmalz-Str. 1
 72293 Glatten, Germany
 T: +49 7443 2403-0
 schmalz@schmalz.de
 WWW.SCHMALZ.COM



760 rue Bériault, Longueuil, Québec (Canada) J4G 1R8
 1-833-360-3330 | info@sosequipment.ca