

ERP series

5,000lb / 6,000lb

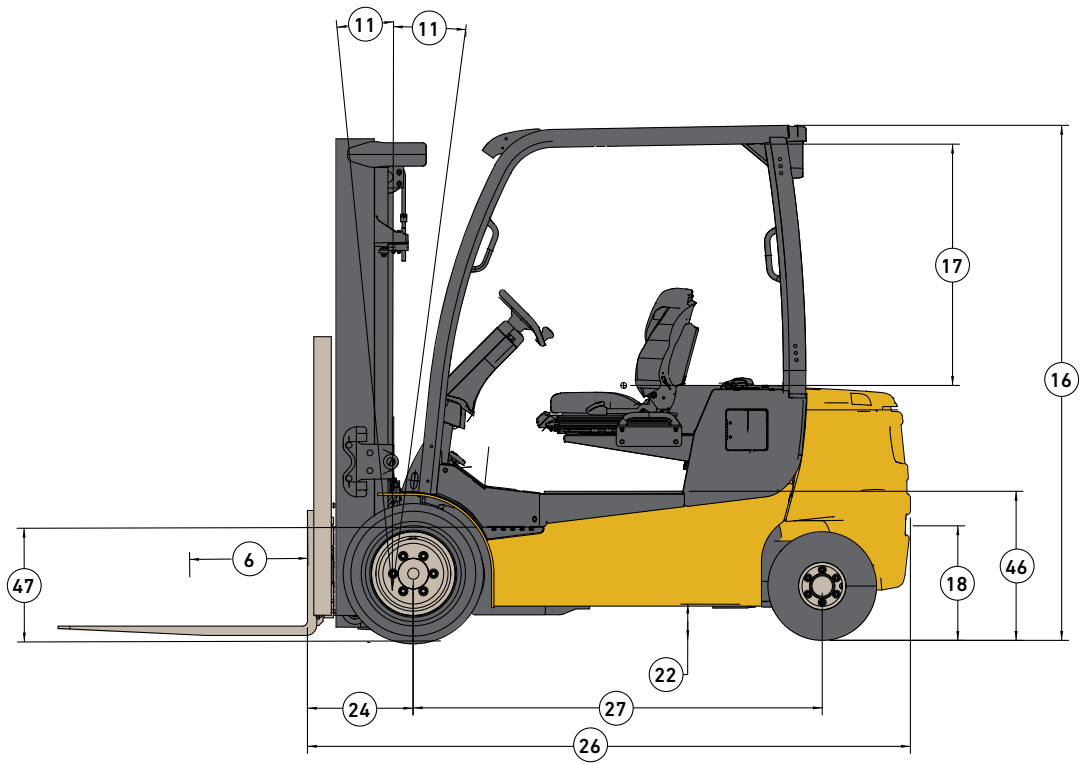
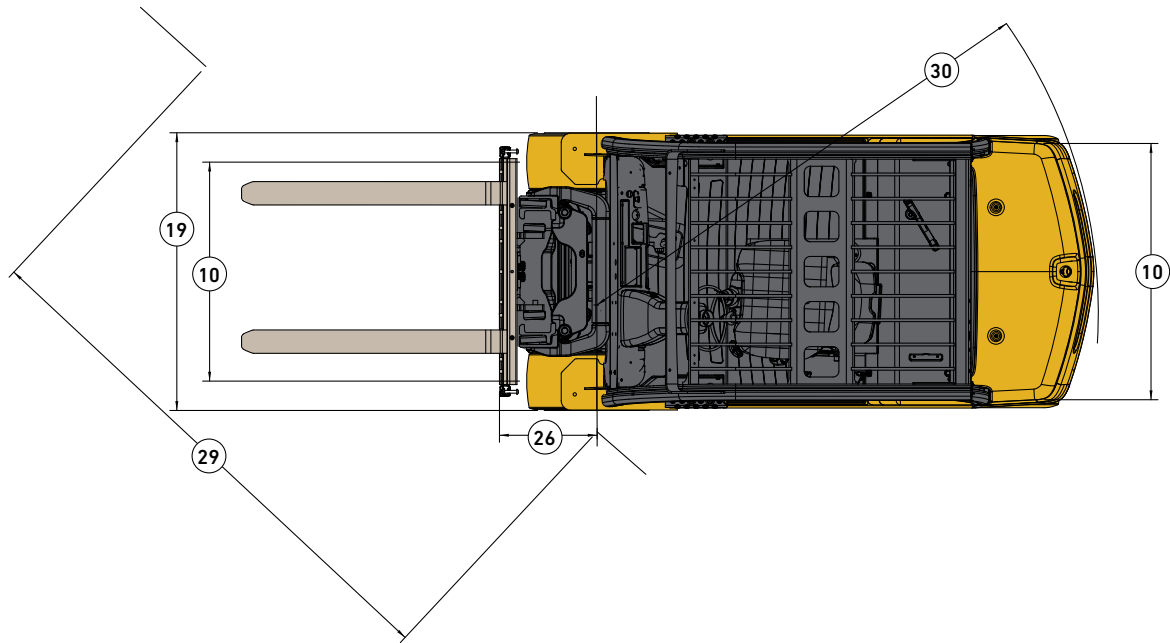
4 Wheel Electric Forklift



SPEC SHEET

Models: ERP050VLL, ERP060VLL

TRUCK DIMENSIONS ERP050-060VLL



Circled truck dimensions correspond to the line numbers in the General Specifications chart. Dimensions are listed in inches (millimeters).

GENERAL SPECIFICATIONS ERP050-060VLL

GENERAL				Yale		Yale	
1	Manufacturer			ERP050VLL		ERP060VLL	
2	Model designation			Electric / 80 volts		Electric / 80 volts	
3	Power/voltage			Sit		Sit	
4	Operation			5000 (2268)		6000 (2722)	
5	Rated capacity		lb (kg)	24 (610)		24 (610)	
6	Load center		in (mm)	Pneumatic / Pneumatic shaped solid		Pneumatic / Pneumatic shaped solid	
7	Tire type (std/opt)			23x10-12 / 18x7-8		23x10-12 / 18x7-8	
8	Tire size (drive/steer)		in	2X/2		2X/2	
9	Wheels-number X=driven (drive/steer)		front/rear	36.9 / 41.5 / 39.1 (938 / 1054 / 992)		36.9 / 41.5 / 39.1 (938 / 1054 / 992)	
10	Tread	Center of tires	Std dr/ wide dr/Steer	5F / 5B 10F / 5B 5F / 6B		5F / 5B 10F / 5B 5F / 6B	
11	Mast tilt	Std / opt / opt	degrees	87 (2192)		87 (2192)	
12	Mast-lowered height	Std mast	in (mm)	5 (140)		5 (140)	
13	Free lift - top of fork	Std 2 std limited free lift mast	in (mm)	37 / 64 (962 / 1628)		37 / 60 (957 / 1540)	
		Op 2 stg full free lift mast with/without LBR	in (mm)	133 (3392)		126 (3209)	
14	Lift height-top of fork	Std 2 stg limited free lift mast	in (mm)	182 / 156 (4622 / 3956)		175 / 153 (4444 / 3861)	
15	Mast-extnd. height	Std mast with/without LBR	in (mm)	86.3 (2193)		86.3 (2193)	
16	Overhead grd. height		in (mm)	36.9 / 41.5 / 39.1 (938 / 1054 / 992)		35.2 / 35.8 / 35.3 (894 / 909 / 897)	
17	SIP to bottom OHG	Seat depressed	Std/Susp/ Air ride	10.3 (262)		10.3 (262)	
18	Tow pin height	Vertical center of pin	in (mm)	46.9 / 51.5 (1192 / 1308)		46.9 / 51.5 (1192 / 1308)	
19	Overall width	Pneumatic tires	Std/wide tread	46.2 / 50.7 (1173 / 1289)		46.2 / 50.7 (1173 / 1289)	
		PSS tires	Std/wide tread	1.6 x 3.9 x 42 (40 x 100 x 1067)		2 x 4.9 x 42 (50 x 125 x 1067)	
20	Forks	Thickness x width x length	in (mm)	42 (1067)		42 (1067)	
21	Std. carriage width		in (mm)	3.9 / 3.3 (98 / 83)		3.9 / 3.3 (98 / 83)	
22	Ground clearance	Lowest point (NL/RL)	in (mm)	5.4 / 5.3 (137 / 134)		5.4 / 5.3 (137 / 134)	
23	Ground clearance	Center of truck (NL/RL)	in (mm)	15.9 (404)		16.4 (416)	
24	Load distance	Center of wheel to face of forks	in (mm)	12.6 (320)		12.6 (320)	
25	Battery compartment	Height	in (mm)	29.1 (738)		29.1 (738)	
		Width	in (mm)	34		34	
		Length	Nominal	39.4 (1000)		39.4 (1000)	
		Length	Actual	100.5 (2555)		100.5 (2555)	
26	Length to face /forks		in (mm)	68.9 (1750)		68.9 (1750)	
27	Wheelbase		in (mm)	146.7 (3727)		149.3 (3793)	
28	Right angle stack		in (mm)	80.5 (2045)		81.7 (2074)	
29	Equal aisle	90° Intersecting aisle	in (mm)	81.6 (2073)		84.2 (2139)	
30	Outside turing radius		in (mm)	8680 (3945)		9540 (4340)	
31	Truck weight	Without battery - no load	lb (kg)	4855 (2205) / 13270 (6020)		5645 (2566) / 15150 (6886)	
32	Axle loading-drive	Static with max weight battery (NL)	lb (kg)	4680 (2125) / 1765 (800)		5630 (2559) / 2125 (966)	
33	Axle loading-steer	Static with max weight battery (NL)	lb (kg)	Std. Performance		Premium Performance	
				11.2 / 11.2 (18 / 18)		13 / 13 (21 / 21)	
34	Travel speed	NL / RL	mph (kph)	124 / 75 (0.63 / 0.38)		142 / 96 (0.72 / 0.49)	
35	Lift speed	Std 2 stg LFL mast (NL/RL)	ft/min (m/sec)	124 / 75 (0.63 / 0.39)		130 / 93 (0.66 / 0.47)	
		Opt 2 stg FFL mast (NL/RL)	ft/min (m/sec)	124 / 75 (0.63 / 0.39)		134 / 94 (0.68 / 0.48)	
		Opt 3 stg FFL mast (NL/RL)	ft/min (m/sec)	100 / 112 (0.51 / 0.57)		91 / 110 (0.46 / 0.56)	
36	Lower speed	Std 2 stg LFL mast (NL/RL)	ft/min (m/sec)	91 / 106 (0.46 / 0.54)		73 / 102 (0.37 / 0.52)	
		Opt 2 stg FFL mast (NL/RL)	ft/min (m/sec)	93 / 108 (0.47 / 0.55)		79 / 104 (0.40 / 0.53)	
		Opt 3 stg FFL mast (NL/RL)	ft/min (m/sec)	35 / 24		38 / 26	
37	Gradability	5 Minute rating (NL/RL)	%	12 / 8		11 / 7	
		60 Minute rating (NL/RL)	%	4248 / 4148		4588 / 4480	
38	Drawbar pull	5 Minute rating (NL/RL)	lbf	1287 / 1257		1390 / 1357	
		60 Minute rating (NL/RL)	lbf	4146 / 4037		4477 / 4360	
39	Brake	Method of control (service/parking)		1256 / 1226		1357 / 1321	
		Method of operation (service/parking)		Hydraulic / Mechanical		Hydraulic / Mechanical	
				Foot / Automatic		Foot / Automatic	
40	Battery compartment	Type		Lithium-ion		Lithium-ion	
41	Traction motors /dual	60 Minute rating (each)	hp (kW)	13.4 (10)		13.4 (10)	
42	Pump motor	15 Minute rating	hp (kW)	21.5 (16)		32.2 (24)	
43	Traction motors	Type/control method		Dual AC / Transistor		Dual AC / Transistor	
44	Pump motor	Type/control method		AC / Transistor		AC / Transistor	
45	Number of speeds	Traction/pump		Infinitely Variable / Infinitely Variable		Infinitely Variable / Infinitely Variable	
46	Step height		in (mm)	18.7 (475)		18.7 (475)	
47	Floor height		in (mm)	24.4 (620)		24.4 (620)	
48	Attachement relief pressure		psi (bar)	2250 (155)		2250 (155)	
49	Auxiliary oil flow	3rd and 4th Function	gal/min (l/min)	11 (40)		11 (40)	
50	Sound level	Measure per ANSI B56.11.5	dB	63		65	

Above specifications, unless otherwise listed, are for a standard truck without optional equipment.

Right Angle Stack and Equal Intersecting Aisle dimensions provided with a 48" long and 40" wide pallet load, allowing zero clearance

NL = no load, RL = rated load

MAST DIMENSIONS ERP050VLL

Maximum Fork Height (TOF)	Overall Lowered Height	Overall Extended Highest		Free Lift (TOF)		Approx. Total Wt. of Std. Equipped Truck
		w/ Load Backrest	w/o Load Backrest	w/ Load Backrest	w/o Load Backrest	
in (mm)	in (mm)	in (mm)	in (mm)	in (mm)	in (mm)	lbs (kg)
2-STAGE LIMITED FREE LIFT (LFL) HI-VIS™₂ MAST						
133 (3392)	87 (2192)	182 (4622)	156 (3956)	5 (140)	5 (140)	9540 (4330)
141 (3592)	91 (2292)	190 (4822)	164 (4156)	5 (140)	5 (140)	9580 (4350)
2-STAGE FULL FREE LIFT (LFL) HI-VIS™ MAST						
133 (3402)	87 (2192)	183 (4632)	157 (3966)	37 (962)	64 (1628)	9580 (4350)
141 (3602)	91 (2292)	191 (4832)	164 (4156)	41 (1062)	68 (1728)	9620 (4365)
3-STAGE FULL FREE LIFT (LFL) HI-VIS™ MAST						
183 (4650)	81 (2042)	232 (5880)	205 (5196)	32 (812)	58 (1496)	9770 (4435)
189 (4800)	83 (2092)	238 (6030)	211 (5346)	33 (862)	60 (1546)	9790 (4445)
194 (4950)	85 (2142)	244 (6180)	217 (5496)	35 (912)	62 (1596)	9810 (4455)
200 (5100)	89 (2242)	250 (6330)	223 (5646)	39 (1012)	66 (1696)	9850 (4470)
206 (5250)	91 (2292)	256 (6480)	229 (5796)	41 (1062)	68 (1746)	9890 (4490)
212 (5400)	93 (2342)	261 (6630)	235 (5946)	43 (1112)	70 (1796)	9920 (4505)

MAST DIMENSIONS ERP060VLL

Maximum Fork Height (TOF)	Overall Lowered Height	Overall Extended Highest		Free Lift (TOF)		Approx. Total Wt. of Std. Equipped Truck
		w/ Load Backrest	w/o Load Backrest	w/ Load Backrest	w/o Load Backrest	
in (mm)	in (mm)	in (mm)	in (mm)	in (mm)	in (mm)	lbs (kg)
2-STAGE LIMITED FREE LIFT (LFL) HI-VIS™₂ MAST						
126 (3209)	87 (2192)	175 (4444)	152 (3861)	5 (150)	5 (150)	10400 (4720)
134 (3409)	91 (2292)	183 (4644)	160 (4061)	5 (150)	5 (150)	10430 (4730)
2-STAGE FULL FREE LIFT (LFL) HI-VIS™ MAST						
126 (3210)	87 (2192)	175 (4445)	152 (3862)	37 (957)	60 (1540)	10430 (4730)
134 (3410)	91 (2292)	183 (4645)	160 (4062)	41 (1057)	64 (1640)	10470 (4750)
3-STAGE FULL FREE LIFT (LFL) HI-VIS™ MAST						
181 (4618)	85 (2142)	231 (5853)	207 (5252)	35 (907)	59 (1508)	10760 (4885)
187 (4768)	89 (2242)	237 (6003)	213 (5402)	39 (1007)	63 (1608)	10810 (4905)
193 (4918)	91 (2292)	243 (6153)	219 (5552)	41 (1057)	65 (1658)	10830 (4920)
205 (5218)	95 (2392)	255 (6453)	231 (5852)	45 (1157)	69 (1758)	10890 (4945)
217 (5518)	101 (2542)	266 (6753)	243 (6152)	51 (1307)	75 (1908)	11070 (5052)

FEATURES LIST

STANDARD FEATURES

30kW lithium-ion battery
2-Stage limited free lift (LFL) Hi-Vis™ mast with maximum fork height of 126" (3209mm)
5° forward and 5° back mast tilt
42" (1067mm) wide class III hook-type carriage with 48" (1219mm) high load backrest extension
42" (1067mm) long forks
Pneumatic drive tire and steer tire
Wheelbase – 68.9"
80 Volt electrical system
Standard performance
Standard construction
Dual drive motors
Oil-cooled wet disc brakes
12" steering wheel with integral spinner knob
Non-suspension vinyl seat
Black ELR non-cinch seat belt
Automatic park brake
Key switch start
86.3" grid style overhead guard
Foot Directional Control Pedal
3-function hydraulic control valve with Accutouch mini levers with fully adjustable armrest
AC traction and pump motors (completely brushless)
Transistor drive and pump control
Advanced VSM (vehicle system manager)
Progressive thermal management system
Fully integrated CANbus communication
On-demand power steering
Power assist braking
ADS (auto deceleration system) with regenerative braking
"Zero turn" steer axle
Multifunction display
– Battery state of charge with low battery lift interrupt
– Hour meter
– Performance mode indicator
– Fault indicator (audible & visible)
– 4 Operator selectable, programmable performance modes
Easy ingress / egress with low step height, floor and contoured handhold
Operator convenience station - storage areas, beverage & clipboard holders
Adjustable tilt steering column with low profile cowl for excellent visibility
Operator presence system (OPS)
Anti-cinch operator restraint system
Cushioned floor mat
Static strap
Tow pin
Seatside power disconnect button
On-board software
– Program, test & diagnose
– Password protected
Electronic horn with integral relay (long life / no adjustments)
24 month / 4,000 hour powertrain warranty
12 month / 2,000 hour full truck warranty
84 month / 12,000 hour lithium battery warranty
Operating manual

OPTIONAL FEATURES

Premium Performance Package
Available with 2-stage limited free lift (LFL) and 2- or 3-stage full
Free lift (FLL) Hi-Vis™ masts
Carriage with integral sideshift
Carriage with integral sideshifting fork positioner
Mast tilt option – 10° forward / 5° back
Mast tilt option – 5° forward / 6° back
Return to set tilt
Accumulator
4 Function hydraulic control valve
Solid pneumatic tires
Wide tread tires
Non-suspension seat (cloth)
Full suspension seat (vinyl or cloth)
Air-ride suspension seat (vinyl or cloth)
Swivel seat, full suspension (vinyl or cloth)
Front and top cab panels: includes front panel with wiper / washer and top panel
Keyless start (with auxiliary key switch)
Seat side directional control
Telescopic steering column with tilt memory
LED and halogen work light packages
LED dome / reading light
LED brake / tail / back-up light packages
Audible reverse activated alarm
Visible amber strobe light - continuous activated, overhead guard mounted
Rear drive handle with integrated horn button
Side view mirrors
Load weight indicator
Impact monitor
Operator password
Operator daily checklist
System monitor – hydraulic low fluid level indicator and hydraulic
Filter service indicator
Hydraulic attachment extension tubes with or without quick
Disconnect fittings
Fire extinguisher – 2.5 Lb. Dry chemical
Synchronous steering
Red (HI-VIS) ELR (emergency locking retractor) non-cinch seat belt
Red (HI-VIS) ELR (emergency locking retractor) non-cinch seat belt with start interlock
Low mount display
IP54 sealed drive axle/motors with belly pan and side shields
Outdoor protection / wash-down package
Front mud guards
Tilt cylinder boots

About Yale®



Yale Materials Handling Corporation is one of the oldest manufacturers of lift trucks in the world. We've been in the business of lifting since 1875 and we apply that experience to help customers solve materials handling challenges. Our full line of lift trucks range in capacity from 2,000 to 36,000 pounds and are powered by internal combustion engines or electric options. Yale also offers robotic solutions, telemetry, fleet management, parts, financing and training. From traditional lift truck equipment to emerging technologies, our goal, every day, is to work with our nationwide dealer network to continually improve and provide the solutions you need, when and how you need them.

MATERIALS HANDLING FOR:



3PL



Auto Parts
Distribution



Beverage



Cold & Frozen
Foods



Food
Distribution



Food
Processing



Furniture &
Furnishings



Health &
Pharma



Home
Centers



Printing &
Publishing




Retail &
E-Commerce

Yale Materials Handling Corporation

P.O. Box 7367
Greenville, NC 27835-7367
U.S.A.

www.yale.com

YALE,  and PEOPLE. PRODUCTS. PRODUCTIVITY. are trademarks, service marks or registered marks in the United States and certain other jurisdictions. © Yale Materials Handling Corporation 2021. All Rights Reserved.

Trucks may be shown with optional equipment. Truck performance may be affected by the condition of the vehicle, how it is equipped and the application. Specifications are subject to change without notice. Consult your Yale® Dealer if any of the information shown is critical to your application.

CERTIFICATION: Yale lift trucks meet the design and construction requirements of B56.1-1969, per OSHA Section 1910.178(a)(2), and also comply with the B56.1 revision in effect at time of manufacture. Classified by Underwriters' Laboratories, Inc.