

Serie

CL1-6



Kg max  
400



Power supply  
Batteries



CL1-6 is the vacuum lifter specific for handling and installing insulated panels. Due to its modular frame, it can be adapted to install both wall and roof panels. CL1-6 is equipped with 6 suction pads with a **maximum capacity of 400kg**. The **tilting system** makes it possible to safely move the horizontally-resting sandwich panels by tilting them vertically.

The modularity and flexibility of CL1-6 also apply to the type of panels it can lift, including **flat, micro-rib and trapezoidal**, either in **mineral wool** or in **polyurethane**. In addition to this, CL1-6 can also be customized to lift special panels, such as **roof tile shaped and other special profile panels**.

To optimize space during storage and transportation, the vacuum lifter comes with the handy **parking stand for forklift** equipped with a protective cover. The structure of the lifter can be disassembled and stored inside the stand, which measures only 100x80x145 cm, to minimize its volume during the transport.

## Technical specifications

|                          |   |
|--------------------------|---|
| <b>Application</b>       | Installation of insulated roofing and wall panels horizontally and vertically<br>Smooth, micro-rib and trapezoidal panels   |
| <b>Capacity</b>          | Max 400 kg  |
| <b>Suction pads</b>      | N. 6 vacuum pads (mm 800x120)<br>Special fast-replacement gaskets   |
| <b>Load movement</b>     | Tilting system 0-90°<br>90° frame rotation for vertical installation  |
| <b>Operating system</b>  | DC vacuum pump powered from on-board batteries<br>High capacity re-chargeable batteries with battery level indicator<br>Battery charger included<br>Quick change battery pack |
| <b>Vacuum system</b>     | 2 independent vacuum circuits, each vacuum circuit with vacuum reserve and non-return valve   |
| <b>Weight of lifter</b>  | Depends on configurations   |
| <b>Control</b>           | Manual ON/OFF valve for load suction and release<br>Release of the load by dual action security command<br>Radio remote control for load suction and release (optional)       |
| <b>Standard features</b> | Audible and visual low vacuum warning devices<br>Vacuum gauge for each vacuum circuit<br>Battery charger 240 Volt<br>Lockable vertical and horizontal tilting                 |



Tilt system 0-90°



Dual vacuum circuit built to EN13155 standard



Radio remote control as optional



Modular frame



Safety systems

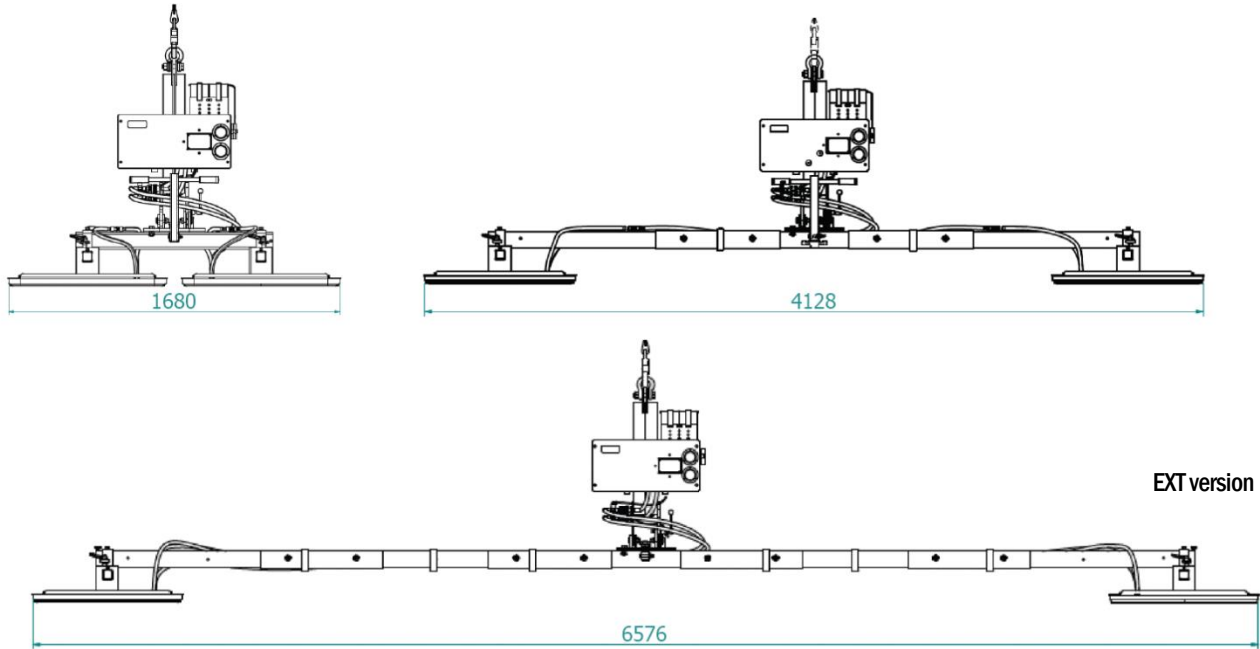


Parking stand

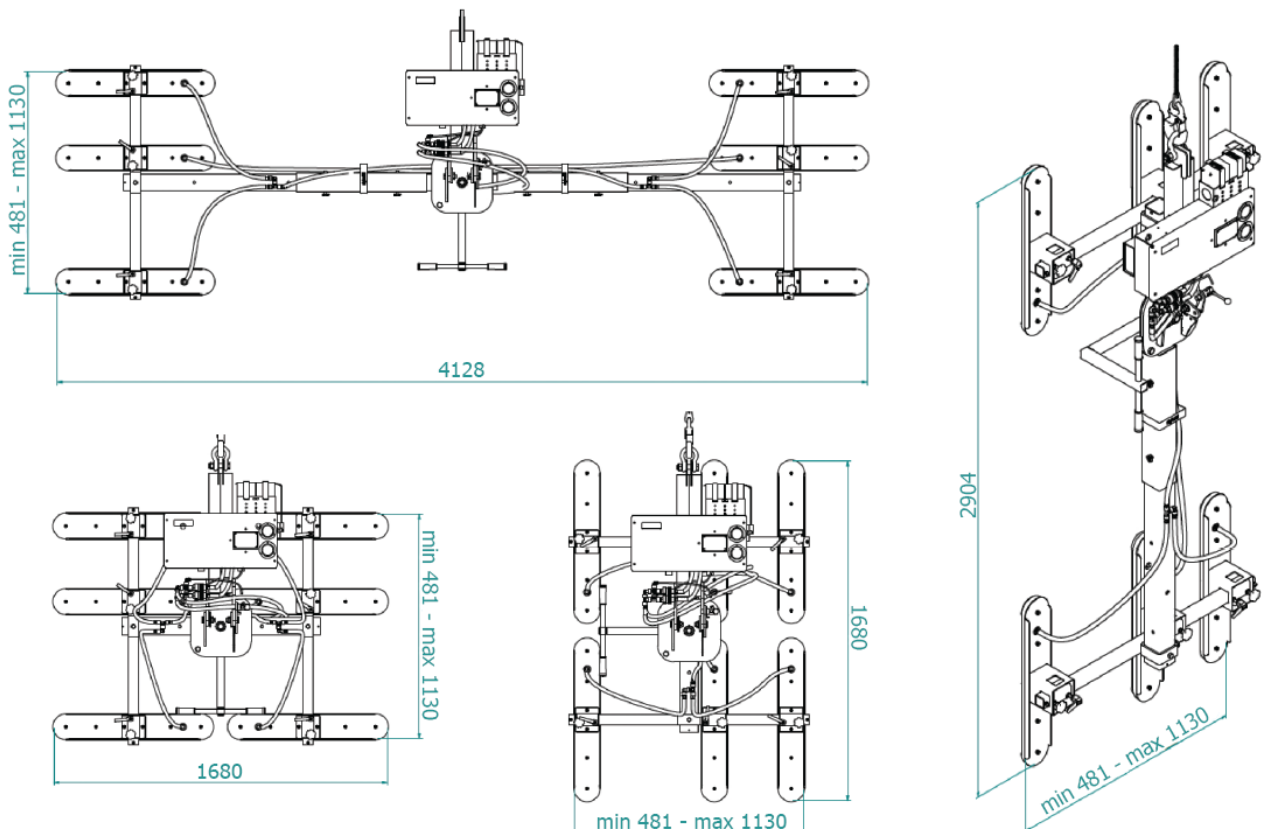


# Cladding Vacuum Lifter

## Technical drawings for roofing panels



## Technical drawings for wall panels



## Cladding Vacuum Lifter

### Accessories included



#### Parking stand for forklift

Forkable pallet-sized parking stand for easy storage and transport. Protective cover included.



#### Specific pads for panels

The special seal that composes the panel pads is specially designed to ensure an easy and immediate grip on different types of panels (smooth, trapezoidal, micro-ribbed).



#### Support for assembled vacuum lifter

Steel base to support the assembled vacuum lifter without damaging the pads when not in use.



#### Tilt assistant bracket

Practical metal tilt assistant attachment to vacuum lifter suspension for making tilting from horizontal to vertical position extremely easy.



#### Spare battery kit

Additional kit of high-capacity batteries to easily replace the low ones without interrupting your job, if needed.



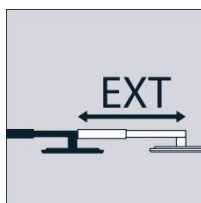
#### External charger

External charger to always have the spare batteries kit in charge.

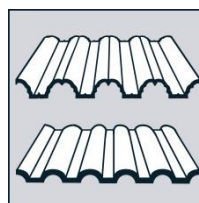
### Optional to choose



Remote control



Extension arms



Special pads



Additional alarm

### Available models

| Capacity (kg) | N. pads | Suction and release  | Extension up to 4 m | Extension up to 6,5m |
|---------------|---------|----------------------|---------------------|----------------------|
| 400           | 6       | Manual               | CL1-6               | CL1-6-EXT            |
| 400           | 6       | Radio remote control | CL1-6 RC            | CL1-6EXT-RC          |