

SERIES SPIDER 18.90

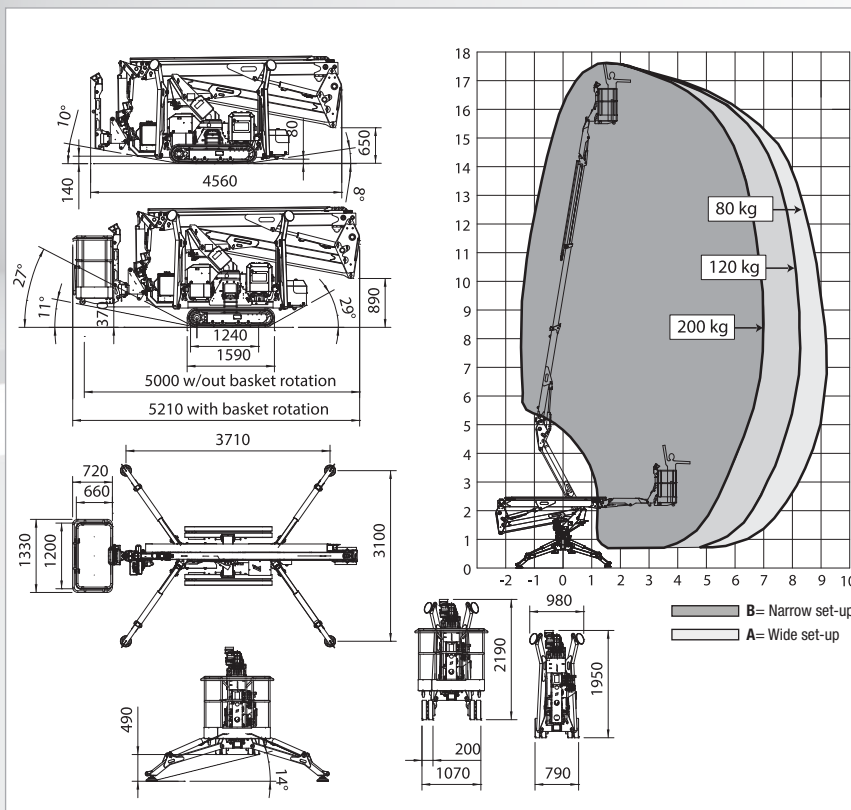
The Best solution for the maintenance of your house and garden

- Available with KUBOTA diesel engine with liquid cooling
- Available in bi-energy Electric version with 230Vac motor and Lithium-technology batteries
- Easy access to each component for simplified maintenance
- Easy to use with precise and proportional controls
- Equipped with flying jib without any basket capacity restriction

- Air/water and 230Vac outlets are available into the basket
- Fully protected by metal covers against falling objects
- Cranked outrigger design for increased ground clearance
- Quick detach and interchangeable cage

SOSEQUIPMENT

VENTE | LOCATION | SERVICE | TRANSPORT
1-833-360-3330 | INFO@SOSEQUIPMENT.CA



TECHNICAL SPECIFICATIONS					
		STD	E	ED	
Maximum working height	m		17,60		
Floor height	m		15,60		
Maximum side outreach	m		9,20		
Rotation angle of the tower	°		360		
Aluminium basket dimensions	m		1,30 x 0,70		
Basket rotation angle	°		70+70		
Maximum capacity of basket	Kg		200		
Length closed (basket disassembled)	m		5,00 (4,36)		
Minimum width closed	mm		780		
Minimum height closed	mm		1950		
Overall dimensions Stabilization	m		3,00 x 3,66		
Maximum horizontal inclination	degrees/%		16° (29%)		
Maximum side inclination	degrees/%		17° (31%)		
Maximum speed	Km/h	1,5/2,5	0,8/1,5	1,5/2,5	
WEIGHTS			STD	E	ED
Weight in work conditions*	Kg		2.350*	2.500*	2650*
Ground pressure stowed machine	KW/m²			3,69	
Ground pressure when on stabilizers	KW/m²			2,52	
Max point load on one stabilizer	KN			17,50	
POWER			STD	E	ED
Honda iGX390 petrol engine	HP/rpm	13/3600	-	-	13/3600
Z482 Kubota diesel engine	HP/rpm	13/3200	-	-	13/3200
Electric Motor 230Vac/50Hz (110Vac/60Hz)	CV/KW	2,20/3 (1,50/2)	2,20/3 (1,50/2)	2,20/3 (1,50/2)	
Electric Motor 24 Vdc	CV/KW	-	3,5/4,8	3,5/4,8	
Traction battery capacity	24Vdc Lead Acid	-	210	210	
	24Vdc Lithium Ion	-	300	300	

* Subject to change depending on configuration.